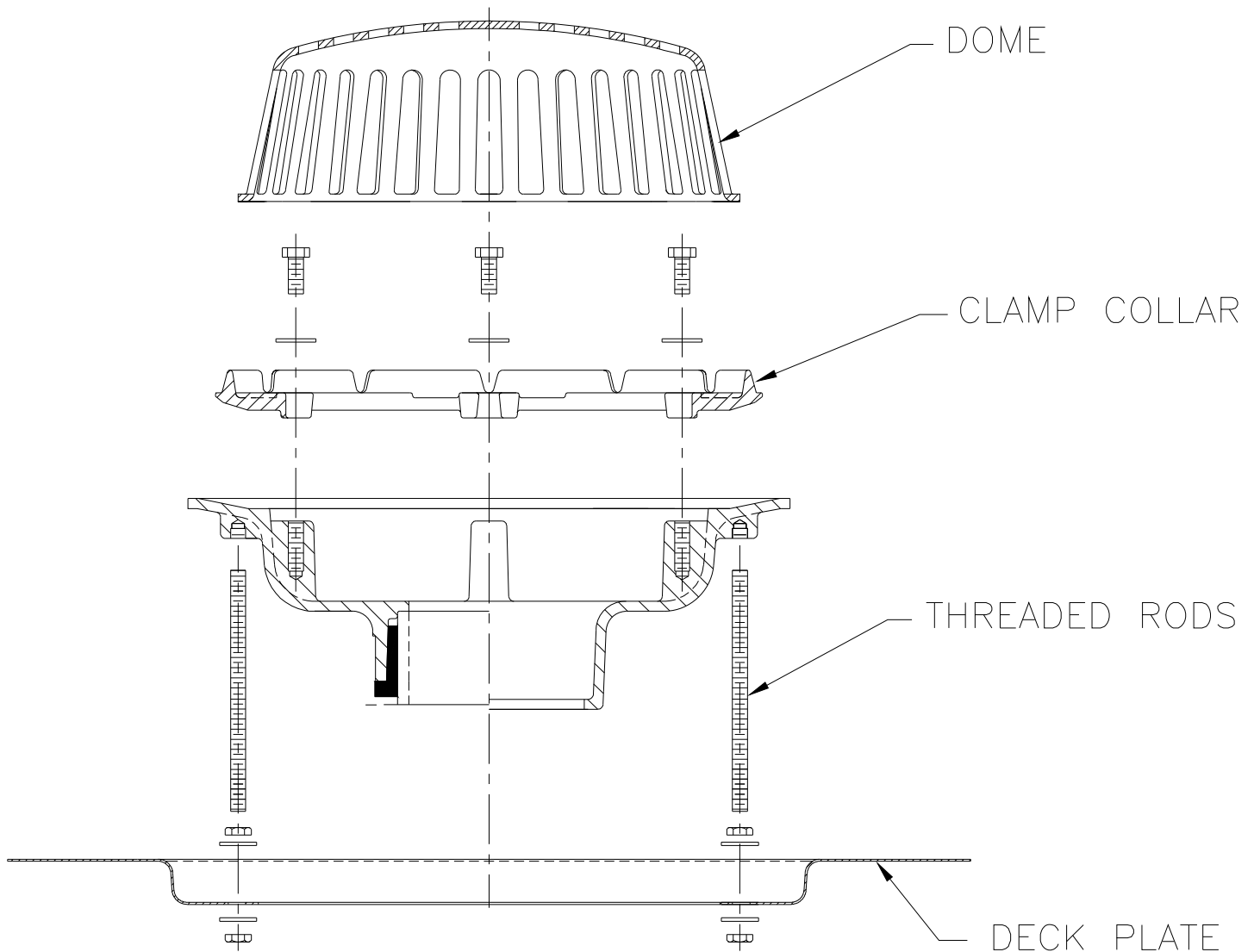




TOP-SET® ADJUSTABLE EXTENSION ASSEMBLY INSTALLATION INSTRUCTIONS

1. Create a square opening in roof (Q-deck) to receive drain assembly.
Opening sizes are:
Z100 18" x 18"
Z101 24" x 24"
Z121 15" x 15"
Z125 11" x 11"
2. Fasten threaded rods into threaded holes in underside of drain body.
3. Fasten topside nuts and washers onto threaded rods, adjusting to desired elevation height.
Note: maximum recommended adjustment is 6 inches.
4. Insert threaded rod ends into holes on the deck plate and fasten with underside nuts and washers.
5. Fasten the assembly to the roof with self tapping screws. (provided by others)
6. Attach dome to clamp collar to complete assembly.



Form # RD66

Date: 1/31/11

C.N. No. 120819

Rev. C

ZURN INDUSTRIES, LLC. ♦ SPECIFICATION DRAINAGE OPERATION ♦ 1801 Pittsburgh Ave. ♦ Erie, PA 16514

Phone: 814/455-0921 ♦ Fax: 814/454-7929 ♦ World Wide Web: www.zurn.com

In Canada: ZURN INDUSTRIES LIMITED ♦ 3544 Nashua Drive ♦ Mississauga, Ontario L4V1L2 ♦ Phone: 905/405-8272 Fax: 905/405-1292