



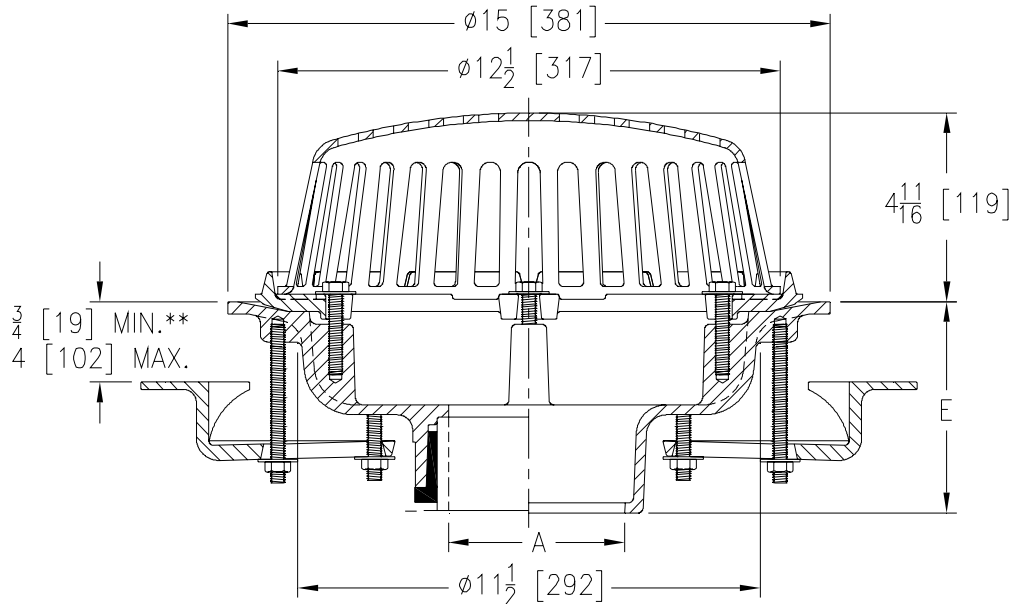
Z100-C

15 [381] DIAMETER MAIN ROOF DRAIN WITH UNDERDECK CLAMP

SPECIFICATION SHEET

TAG _____

Dimensional Data (inches and [mm]) are Subject to Manufacturing Tolerances and Change Without Notice



A Pipe Size In.	Approx. Wt. Lbs. [kg]	Dome Open Area Sq. In. [cm ²]
2-3-4 [51-76102]	48 [22]	103 [665]
5-6 [127-152]	49 [22]	
8 [203]	50 [23]	

ENGINEERING SPECIFICATION: ZURN Z100-C

15 [381] Diameter roof drain. Dura-Coated cast iron body, with combination membrane flashing clamp/gravel guard, underdeck clamp and low silhouette Poly-Dome.

OPTIONS (Check/specify appropriate options)

PIPE SIZE

- 2 thru 6, 8 [51 thru 152,203]
- 2 thru 6, 8 [51 thru 152,203]
- 2 thru 6, 8 [51 thru 152,203]
- 2,3,4 [51,76,102]
- 6 [152]

(Specify size/type) **OUTLET**

- _____ IC Inside Caulk
- _____ IP Threaded
- _____ NH No-Hub
- _____ NL Neo-Loc
- _____ NL Neo-Loc

E BODY HT. DIM.

- 5 1/4 [133]
- 3 3/4 [95]
- 5 1/4 [133]
- 4 9/16 [116]
- 5 7/16 [138]

PREFIXES

- ___ Z D.C.C.I. Body with Poly-Dome*
- ___ ZA D.C.C.I. Body with 6 3/4 [171] High Aluminum Dome
- ___ ZC D.C.C.I. Body with Cast Iron Dome
- ___ ZRB D.C.C.I. Body with Plain Bronze Dome

SUFFIXES

- | | |
|--|---|
| <ul style="list-style-type: none"> ___ -AR Acid Resistant Epoxy Coated ___ -AW 3/4 [19] to 4 [102] Adjustable Water Level Regulator (Specify Height) (ZC Only) ___ -BS Bronze Mesh Screen Over Dome ___ -DX Dex-o-tex Flange ___ -E Static Extension 1 [25] thru 4 [102] (Specify Ht.) ___ -EA Adjustable Extension Assembly 2 1/8 [54] thru 3 1/2 [89] ___ -FG Flush Grate (Replaces Dome Strainer) ___ -G Galvanized Cast Iron ___ -GD Galvanized Cast Iron Dome (ZC only) ___ -R Roof Sump Receiver ___ -SC Secondary Clamping Collar ___ -SS Stainless Mesh Screen Over Dome | <ul style="list-style-type: none"> ___ -TC Neo-Loc Test Cap Gasket (2 - 4 [51-102] Bottom Outlet Only) ___ -VP Vandal-Proof Secured Top ___ -W2 2 [51] Internal Water Dam ___ -W3 3 [76] Internal Water Dam ___ -W4 4 [102] Internal Water Dam ___ -84 Stainless Steel Perforated Gravel Guard ___ -85 Stainless Steel Perforated Extension ___ -89 2 [51] High External Water Dam ___ -90 90° Threaded Side Outlet Body (2 thru 6 [51-152]) |
|--|---|

*REGULARLY FURNISHED UNLESS OTHERWISE SPECIFIED

REV. B	DATE: 2/22/08	C.N. NO. 95524
DWG. NO. 57131 PRODUCT NO. Z100-C		