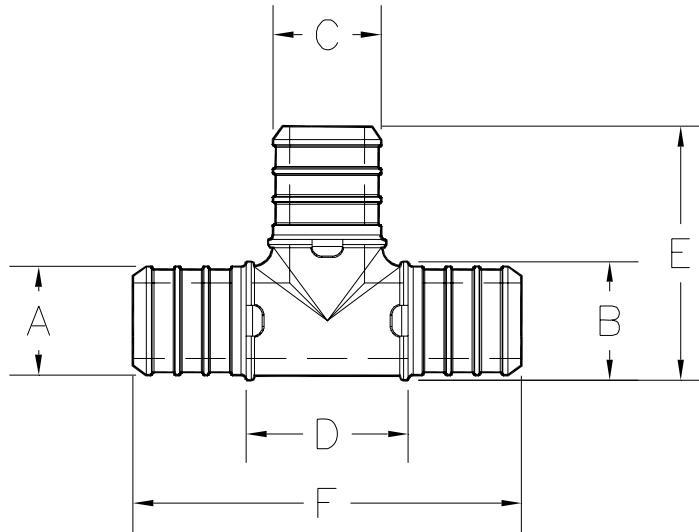




QickSert CR™ Barb x Barb x Barb Tee QQPT__X Specification Sheet

Tag _____

Dimensional Data: Inches and [mm] are subject to manufacturing tolerances and change without notice.



Part Number	Description	'A' in [mm]	'B' in [mm]	'C' in [mm]	'D' in [mm]	'E' in [mm]	'F' in [mm]
QQPT333X	1/2" Barb x 1/2" Barb x 1/2" Barb Tee	0.473" [12.0]	0.473" [12.0]	0.473" [12.0]	0.85" [21.6]	1.13" [28.7]	2.25" [57.2]
QQPT334X	1/2" Barb x 1/2" Barb x 3/4" Barb Tee	0.473" [12.0]	0.473" [12.0]	0.668" [17.0]	1.00" [25.4]	1.20" [30.5]	2.40" [61.0]
QQPT433X	3/4" Barb x 1/2" Barb x 1/2" Barb Tee	0.668" [17.0]	0.473" [12.0]	0.473" [12.0]	1.00" [25.4]	1.20" [30.5]	2.40" [61.0]
QQPT434X	3/4" Barb x 1/2" Barb x 3/4" Barb Tee	0.668" [17.0]	0.473" [12.0]	0.473" [12.0]	0.98" [24.9]	1.20" [30.5]	2.40" [61.0]
QQPT443X	3/4" Barb x 3/4" Barb x 1/2" Barb Tee	0.668" [17.0]	0.668" [17.0]	0.473" [12.0]	1.00" [25.4]	1.20" [30.5]	2.40" [61.0]
QQPT444X	3/4" Barb x 3/4" Barb x 3/4" Barb Tee	0.668" [17.0]	0.668" [17.0]	0.668" [17.0]	1.00" [25.4]	1.20" [30.5]	2.40" [61.0]
QQPT553X	1" Barb x 1" Barb x 1/2" Barb Tee	0.856" [21.7]	0.856" [21.7]	0.473" [12.0]	1.00" [25.4]	1.79" [45.5]	2.68" [68.1]
QQPT544X	1" Barb x 3/4" Barb x 3/4" Barb Tee	0.856" [21.7]	0.668" [17.0]	0.668" [17.0]	1.14" [29.0]	1.83" [46.5]	2.73" [69.3]
QQPT554X	1" Barb x 1" Barb x 3/4" Barb Tee	0.856" [21.7]	0.856" [21.7]	0.668" [17.0]	0.98" [24.9]	1.74" [44.2]	2.68" [68.1]
QQPT555X	1" Barb x 1" Barb x 1" Barb Tee	0.856" [21.7]	0.856" [21.7]	0.856" [21.7]	1.36" [35.5]	2.00" [50.8]	3.05" [77.5]

Engineering Specification: ZurnPEX™ QickSert CR™ Barb x Barb x Barb tee. The QQPT__X tee is used to branch off a main line or change direction. Molded from Acudel®. These fittings, as a system with Zurn PEX tube, are pressure rated at 160 PSI at 73°F, 100 PSI at 180°F, and 80 PSI at 200°F. These fittings are listed by NSF as complying with the following standards: NSF/ANSI Standard 14, NSF/ANSI Standard 61, ASTM F877, and CSA B137.5, and ASTM F2159.

Accessories

- ___ **QCLP3X** 1/2" QickClamp Crimp Ring
- ___ **QCLP4X** 3/4" QickClamp Crimp Ring
- ___ **QCLP5X** 1" QickClamp Crimp Ring
- ___ **QCR3X** 1/2" Copper Crimp Ring
- ___ **QCR4X** 3/4" Copper Crimp Ring
- ___ **QCR5X** 1" Copper Crimp Ring

Rev. A	Date: 06/26/08	C.N. No. 98690
Dwg. No. 82187		Prod. No. QQPT__X