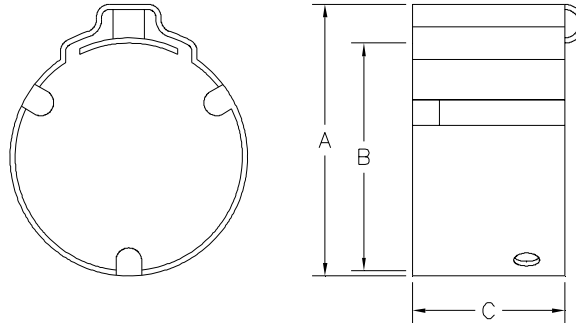




# QuickClamp™ Crimp Ring QCLP\_X Specification Sheet

Tag \_\_\_\_\_

Dimensional Data: Inches and [mm] are subject to manufacturing tolerances and change without notice.



Part Number	Nominal Size	'A' in [mm]	'B' (ID) in [mm]	'C' (Thk.) in [mm]
QCLP2X	3/8"	0.65" [16.5]	0.52" [13.2]	0.50" [12.7]
QCLP3X	1/2"	0.79" [20.1]	0.64" [16.3]	0.50" [12.7]
QCLP4X	3/4"	1.06" [26.9]	0.89" [22.6]	0.50" [12.7]
QCLP5X	1"	1.32" [33.5]	1.14" [29.0]	0.50" [12.7]

**Engineering Specification:** ZurnPEX™ QuickClamp Crimp Rings. Stainless Steel (Type 304) mechanical fastener used to secure ZurnPEX™ tubing to Zurn Quick/Sert1™ and QuickSert CR™ fittings. Integral locating flange and sight hole.

### Accessories

\_\_\_ **QCRTQCM** Medium QuickClamp Crimp Tool

Rev.A	Date: 07/25/07	C.N. No. 96990
Dwg. No. 82131		Prod. No. QCLP