

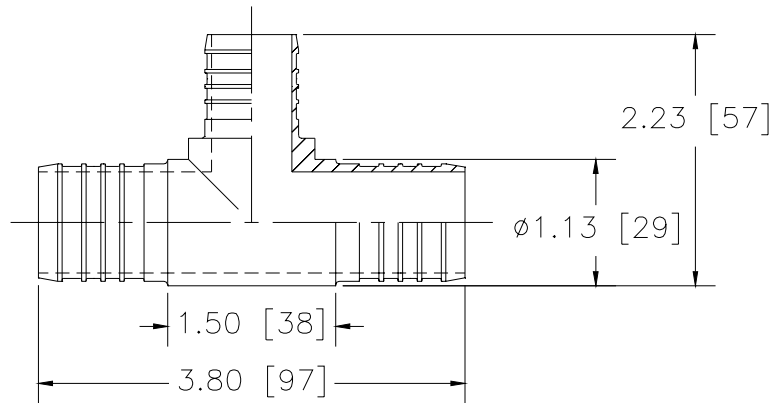


1-1/4" PEX x 1-1/4" PEX x 1" PEX Tee - QQT665X

Specification Sheet

Tag _____

Dimensional Data: Inches and [mm] are subject to manufacturing tolerances and change without notice.



Engineering Specification: Zurn® 1-1/4" x 1-1/4" x 1" PEX barb tee. The QQT665X tee is used to transition a 1-1/4" main line to a 1" branch line.

Accessories

- QCR5X 1" Copper Crimp Ring
- QCR6X 1-1/4" Copper Crimp Ring

Rev.	Date: 11/12/03	C.N. No. 91632
Dwg. No. 67514		Prod. No. QQT665X