

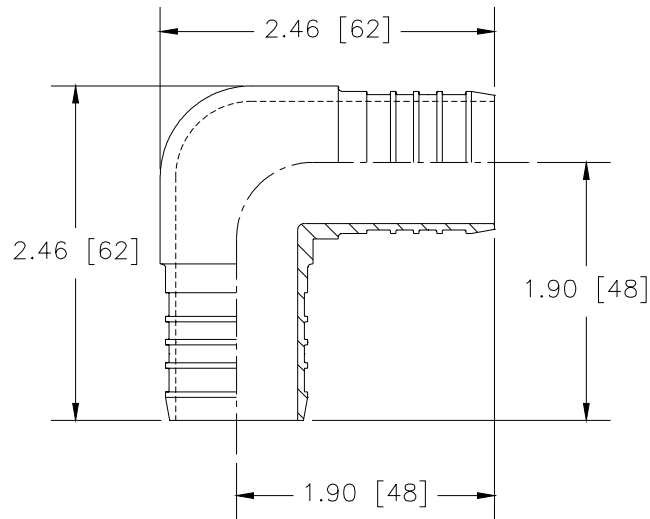


1-1/4" PEX Elbow - QQE66X

Specification Sheet

Tag _____

Dimensional Data: Inches and [mm] are subject to manufacturing tolerances and change without notice.



Engineering Specification: Zurn® 1-1/4" PEX barb elbow. The QQE66X elbow is used to make sharp 90° bends.

Accessories

___ **QCR6X** 1-1/4" Copper Crimp Ring

Rev.	Date: 11/11/03	C.N. No. 91631
Dwg. No. 67513		Prod. No. QQE66X