

EVERGREEN® Pro

SUBMITTAL SHEET

JOB NAME _____

LOCATION _____

ARCH. / ENGR. _____

WHOLESALER _____

MECH. CONTRACTOR _____

MODEL NO. _____ GAS TYPE _____

BTU/HR INPUT _____ BTU/HR OUTPUT _____

NOTES _____

STANDARD FEATURES

Boiler

- Stainless steel fire-tube heat exchanger
- Non-metallic heat exchanger base
- Floor standing or wall-mount option with kit (220-399)
- Natural or LP gas
- Negative regulated combustion
- 5 to 1 turndown ratio (110-155)
- 10 to 1 turndown ratio (220-399)
- Boiler circulator/low water cut-off

Control Features

- Easy installation with Setup Wizard
- Zone and/or priority based control
- Three thermostat inputs
- Outdoor reset for each priority
- Rate adjustable per priority
- 0-10V input (modulation or setpoint)
- Four total outputs
 - 1 dedicated boiler circulator output
 - 3 additional outputs can be used with circulators, dampers or system aux
- Aux inputs - flow switch or end switch

- Aux outputs - system pump or damper
- Modbus connectivity
- Additional heat demand contact

Multiple Boiler Features

- Up to 8 boilers, multiple system
- Series, Parallel or SmartSequencing®
- Lead boiler rotation
- 2 network priorities for the system
- 2 local priorities per boiler
- 24 zone inputs and outputs with 8 total cascaded boilers
- Aux inputs - flow switch or end switch
- System aux outputs - system pump or damper

Venting*

- Direct vent 100 ft. for intake and 100 ft. for vent
- Dual pressure zones (sidewall air intake, roof vent)
- Common combustion air
**Please call your Weil-McLain® technical representative for additional venting options.*
- Direct exhaust

Jacket Assembly

- Fully removable jacket front door
- Adjustable boiler legs

- Mounting bracket ready for wall-mount kit (ships standard 70-155; optional kit 220-399)
- Condensate trap

Boiler Circulators

- Taco ECM 007e (10)
- Taco ECM 0015e (155)
- Taco 0014 (220/299)
- Taco 0013 (399)

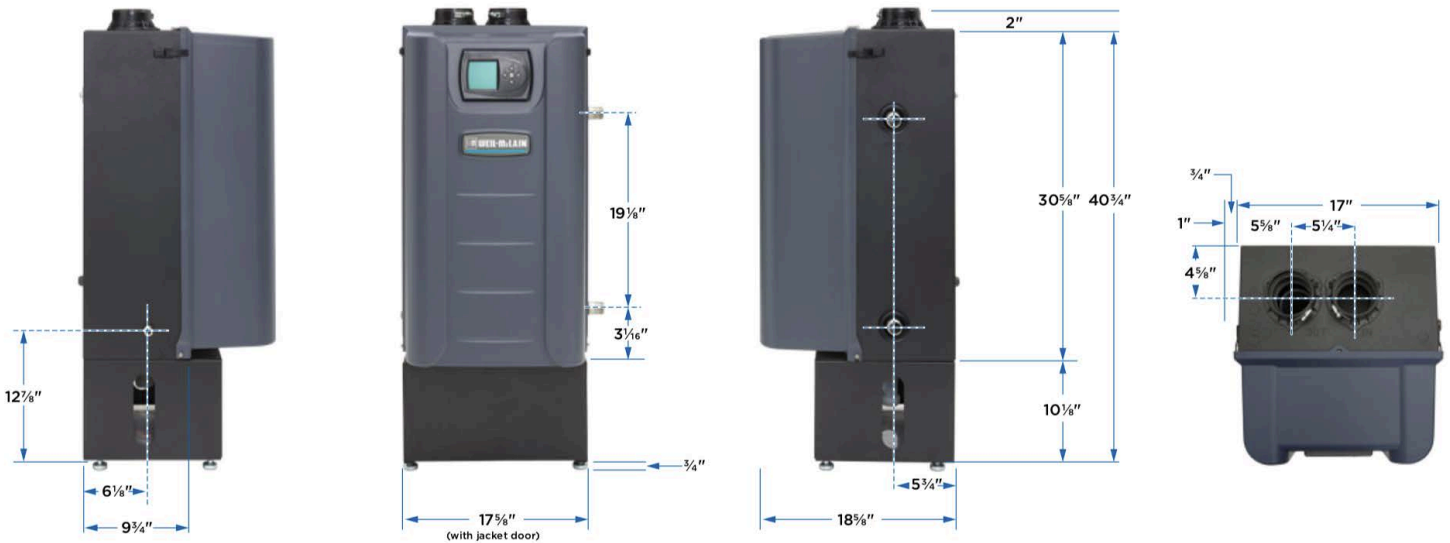
Optional Equipment

- Wall-mount kit (220-399)
- Concentric vent kit
- Condensate neutralizer kit
- Sidewall vent/air termination kit
- Maintenance kits
- Water treatment- inhibitor & test kit
- Propane conversion kit
- Prefab manifold kits
- Modbus converter to BacNet or Lonworks
- Parts kit

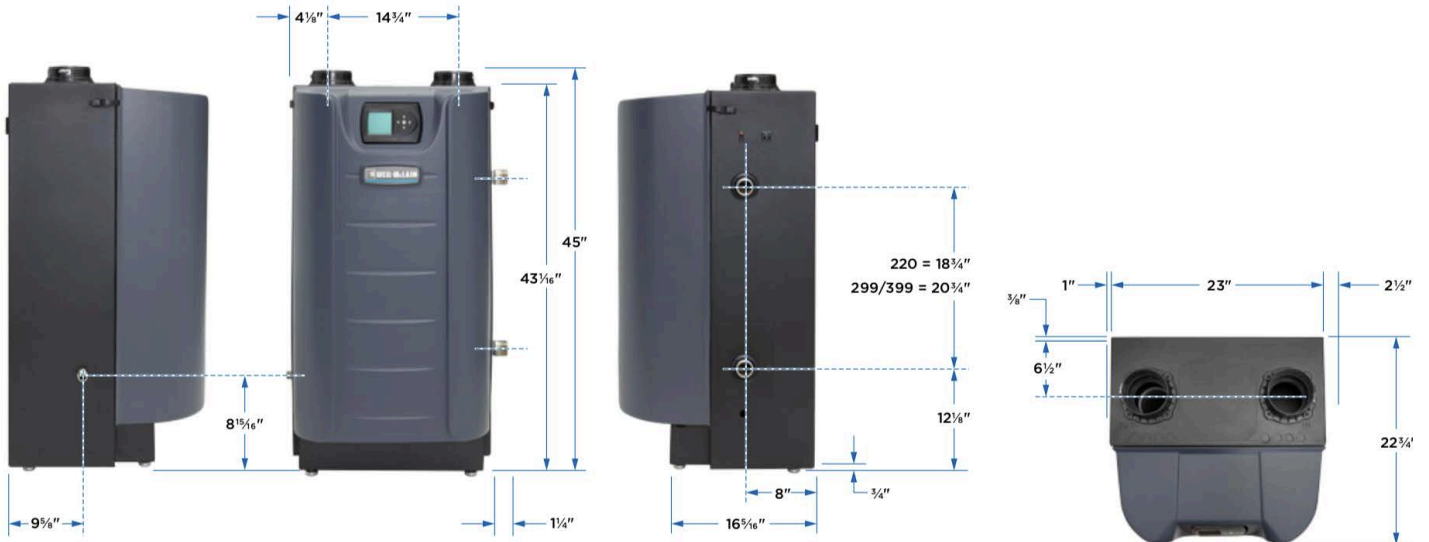
EVERGREEN® Pro

DIMENSIONS

MODEL 110-155



MODEL 220-399



EVERGREEN® Pro

SPECIFICATIONS

MODEL	EVG 110	EVG 155	EVG 220	EVG 299	EVG 399
CSA INPUT (MBH)	110	155	220	299	399
DOE HEATING CAPACITY (MBH)	101	143	206	280	383*
NET AHRI (MBH)	88	124	179	243	333
DOE AFUE	95.0%	95.1%	95.0%	95.0%	96.5%*
VENT MATERIAL	PVC, CPVC, PP, SS (AL29-4C)	PVC, CPVC, PP, SS (AL29-4C)	PVC, CPVC, PP, SS (AL29-4C)	PVC, CPVC, PP, SS (AL29-4C)	PVC, CPVC, PP, SS (AL29-4C)
VENT/COMBUSTION AIR CONNECTION DIAMETER	3"	3"	4"	4"	4"
VENT/COMBUSTION AIR PIPE SIZE	3"	3"	3" or 4"	4"	4"
VENTING LENGTH	100'	100'	100'	100'	100'
MIN. RECOMMENDED PIPE SIZE	1"	1¼"	1¼"	1½"	1½"
SUPPLY/RETURN TAPPING	1"	1¼"	1½"	1½"	1½"
GAS CONNECTION SIZE	½"	½"	¾"	¾"	¾"
APPROX. SHIPPING WEIGHT (Lbs.)	125	145	215	260	260
WATER VOLUME (Gal.)	2.5	3.2	4.6	7.0	6.7

**Evergreen Pro 399 ratings are gross output and combustion efficiency*

