



## Gas-Fired Water Boilers

### Blower Motor Kit Replacement Instructions

382-200-345 — GOLD GV Series 1-4 & GV90+ Series 1 Blower motor replacement kit

381-356-584 — GV90+ Series 2 Only Blower motor replacement kit

#### WARNING

This symbol is used in these instructions to indicate presence of hazards which can cause severe personal injury, death or substantial property damage.

#### WARNING

- These instructions are for use by a qualified installer/service technician. Failure to follow all instructions in proper order can cause severe personal injury, death or substantial property damage.
- Shut off main gas valve and disconnect electricity to boiler. Failure to do so can cause severe personal injury, death or substantial property damage.
- The boiler contains ceramic fiber and fiberglass materials. Use care when handling these materials per instructions in Boiler Manual, available on-line at Weil-McLain.com. Failure to comply could result in severe personal injury.
- Do not dis-assemble blower housing. Doing so may cause severe personal injury, death or substantial property damage.

#### Contents of Kit:

- Motor
  - Rings and Ferrels
  - Grommets
  - Allen Wrench
  - Instructions
1. Remove jacket top and front panels.
  2. Remove blower motor wiring connector from control module.
  3. Remove control tray (if applicable), shipping screw, and lift up control tray, setting it aside.
  4. Loosen set screw on blower wheel hub, releasing blower motor shaft. See Figure 1.
  5. Remove three (3) bolts and nuts holding blower motor to blower motor mounting brackets.
  6. Pull blower motor straight up and remove.
  7. Disassemble screw, blue grommets and sleeve washer and nut from each blower motor flange on new motor.
  8. See Figure 1. Make sure sleeve is inside t-shaped blue grommet and slip both through hole in flange. Place washer on top of blue grommet and slip screw inside hole. Position bottom blue grommet under flange to secure top grommet. Repeat for each flange.

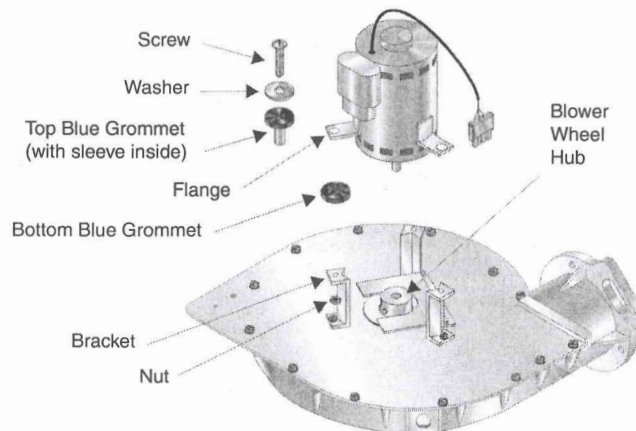
9. Align flat side of blower motor shaft with blower wheel hub set screw, then lower new blower motor onto three mounting brackets.
10. Install nut and tighten. Repeat for each flange.
11. Lift blower wheel hub about 1/8 to 1/4" by inserting allen wrench into set screw and tighten set screw. Check for clearance by manually rotating shaft. Adjust accordingly (such that blower wheel does not contact blower housing).
12. Replace control tray and shipping screw (if applicable).
13. Connect wiring connector to control module. Make sure all plug-in connectors are secure.
14. Turn on electrical power and check boiler normal sequence of operation.
15. Replace jacket front and top panels.

#### RECOMMENDED TOOLS:

3/8" OPEN END WRENCH

1/8" ALLEN WRENCH LONG HANDLE (PROVIDED IN KIT)

STUB PHILLIPS SCREW DRIVER



Weil-McLain  
500 Blaine Street  
Michigan City, IN 46360-2388  
<http://www.weil-mclain.com>