



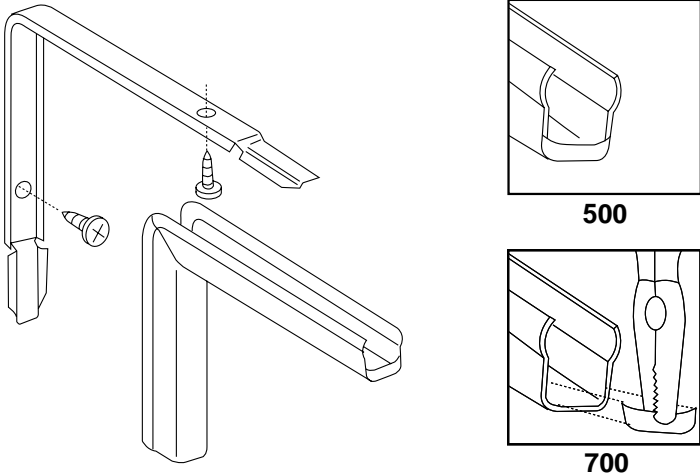
Wiremold Electrical Systems conform to and should be properly grounded in compliance with requirements of the current National Code or codes administered by local authorities.

All electrical products may represent a possible shock or fire hazard if improperly installed or used. Wiremold electrical products are UL listed, made for interior use in dry locations only and should be installed in conformance with current local and/or the National Electrical Code.

V5717A Internal Pull Elbow V5700F/V200F Flexible Section INSTALLATION INSTRUCTIONS

- Use No. 8 (5/16" [7.9mm] head size) flat head fastener or equivalent to mount base to surface.
- Utiliser une attache à tête plate de calibre 8 (tête de 7.9mm, 5/16" po.) ou une fixation équivalente pour assujettir le tube guide-fils et les raccords à la surface de montage.
- Use un sujetador de cabeza plana No. 8 (tamaño de cabeza: 7.9mm, 5/16" de pulgada) o su equivalente para unir la canalita y los accesorios a la superficie de montaje.

V5717A Internal Pull Elbow



V5700F/V200F Flexible Section

