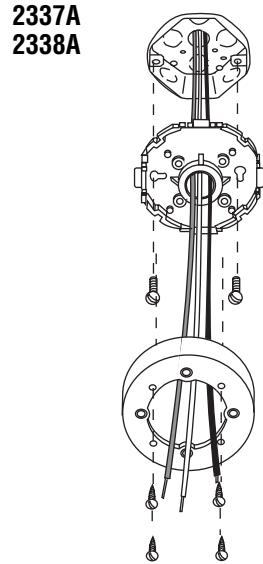
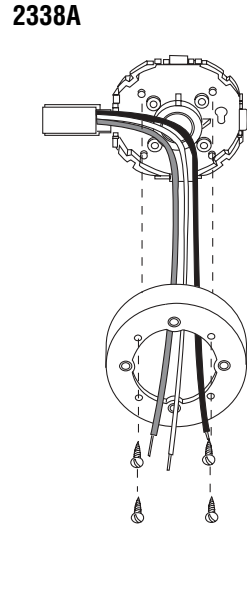
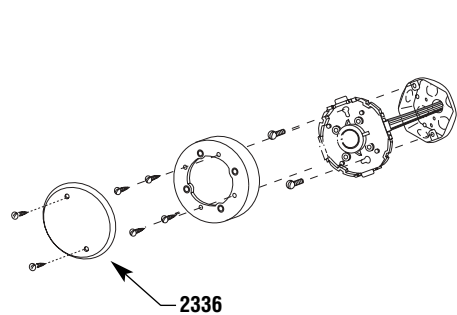
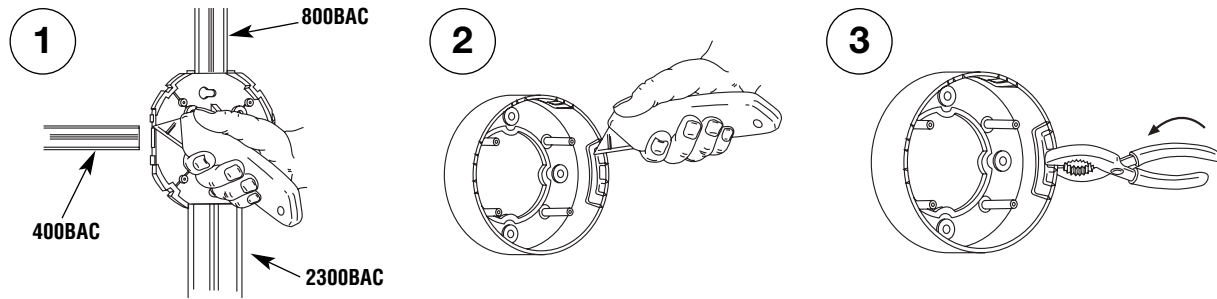


ROUND DEVICE BOXES

2336, 2337A & 2338A

These fixture boxes are not designed to support lighting fixtures weighing more than 10 lbs. (4.5 kg) or ceiling fans
 Ces boîtes ne sont pas destinées à soutenir des luminaires pesant plus de 4,5 kg. (10 lbs) ou des ventilateurs de plafond.
 Estas cajas eléctricas no están diseñadas para soportar lámparas que pesen más de 4,5 kg (10 lbs) ni ventiladores de techo.



WIREMOLD



Wiremold / Legrand
 U.S. and International:
 60 Woodlawn Street • West Hartford, CT 06110
 1-800-621-0049 • FAX 860-232-2062 • Outside U.S. 860-233-6251
 Canada:
 570 Applewood Crescent • Vaughan, Ontario L4K 4B4
 1-800-723-5175 • FAX 905-738-9721

40486R8 - Updated July 2005 - For latest specs visit www.wiremold.com

WIREMOLD



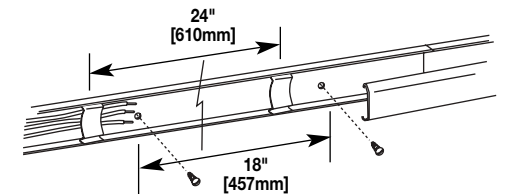
400BAC, 800BAC, 2300BAC & 2300BACD Nonmetallic Raceway Systems, Boxes & Fittings INSTALLATION INSTRUCTIONS

Installation Instruction No.: 40486R8 - Updated July 2005

Use a #8 (5/16" [7.9mm] head size) pan head fastener or equivalent to attach fittings to mounting surface.

Utilisez une attache a tete panoramique de calibre 8 [tete de 7,9mm (5/16")] ou une fixation equivalente pour assujettir les raccords a la surface de montage.

Use un sujetado de cabeza plana #8 (5/16" tamaño de cabeza 7.9mm) o su equivalente para unir las instalaciones a la superficie de montaje.



The adhesive on the 400BAC, 800BAC, 2300BAC and 2300BACD is intended to be used as an installation aid for positioning the product. Applications with power wire, screw fasteners must be used in addition to the adhesive. Applications with communication cable only, screw fasteners are recommended in addition to the adhesive.

L'adhésif qui se trouve sur les modèles 400BAC, 800BAC, 2300BAC et 2300BACD permet de positionner correctement le produit lors de l'installation. Applications avec fil électrique : des vis d'assemblage doivent être utilisées en plus de l'adhésif. Applications avec câble de communication seulement : des vis d'assemblage sont recommandées en plus de l'adhésif.

El adhesivo del 400BAC, 800BAC, 2300BAC y el 2300BACD está destinado a usarse como una ayuda para colocar el producto. En aplicaciones con cable de corriente debe usarse sujetadores de tornillo además del adhesivo. En aplicaciones con cable de comunicaciones solamente, se recomienda el uso de sujetadores de tornillo además del adhesivo.

RACEWAY WIRE CAPACITIES FOR POWER (40% FILL)			
RACEWAY	WIRE SIZE THHN		
	#10	#12	#14
400BAC	0	3	5
800BAC	4	5	6
2300BAC	12	18	25
2300BACD*	5	8	12

NOTE: Raceway wire capacities are based upon loose conductors. Do not bundle conductors in raceway. * Each compartment.

RACEWAY WIRE AND CABLE FILL CAPACITIES FOR COMMUNICATIONS											
Cable Type	Category/Designation	Typical OD		400BAC		800BAC		2300BAC		2300BACD Each Compartment	
		Inches	[mm]	20% Fill*	40% Fill**	20% Fill*	40% Fill**	20% Fill*	40% Fill**	20% Fill*	40% Fill**
Unshielded Twisted Pair	4-pair, 24AWG Cat 3 UTP	0.190	[4.8]	0	1	1	3	5	11	2	5
	4-pair, 24AWG Cat 5e UTP	0.210	[5.3]	0	1	1	3	4	9	2	4
	4-pair, 24AWG Cat 6 UTP	0.250	[6.3]	0	1	1	2	3	6	1	3
Telephone	2-pair, 24 AWG	0.140	[3.6]	1	3	3	7	11	22	5	11
	3-pair, 24 AWG	0.150	[3.8]	1	2	3	6	9	19	4	9
	4-pair, 24 AWG	0.190	[4.8]	0	1	1	3	5	11	2	5
	25-pair, 24 AWG	0.410	[10.4]	0	0	0	0	1	2	0	1
	Coaxial	RG58/U	0.195	[5.0]	0	1	1	3	5	11	2
	RG59/U	0.242	[6.1]	0	1	1	2	3	7	1	3
	RG62/U	0.242	[6.1]	0	1	1	2	3	7	1	3
	RG6/U	0.270	[6.9]	0	0	0	1	2	5	1	2
TWINAXIAL	100 Ohm	0.330	[8.4]	0	0	0	1	1	3	0	1
Shielded Twisted Pair	Type 1	0.390	[9.9]	0	0	0	0	1	2	0	1
	Type 2	0.465	[11.8]	0	0	0	0	1	2	0	1
	Type 3	0.245	[6.2]	0	1	1	2	3	7	1	3
Fiber	Mini ZipCord	0.079 x 0.157	[2 x 4]	2	4	4	8	13	27	6	13
	ZipCord	0.118 X 0.236	[3 X 6]	0	1	1	3	6	12	3	6
	Round 4 Strand Fiber	0.187	[4.8]	0	1	1	3	6	12	3	6
	Round 6 Strand Fiber	0.256	[6.5]	0	1	1	2	3	6	1	3

* 20% cable fill is calculated to approximate reduction in cable capacity due to connectors mounted within raceway and fittings that may restrict cross sectional area.

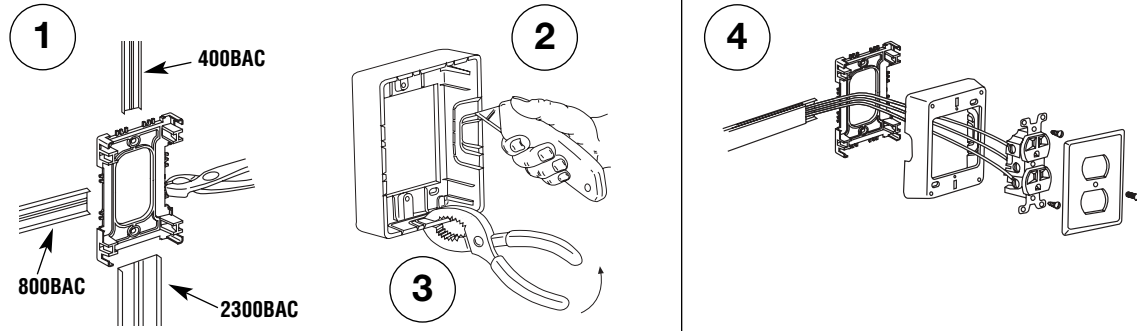
** 40% cable fill is the maximum designed cable fill based on a proposed revision to TIA/EIA 569-A.



SURE-SNAP® DEVICE BOXES

For 400, 800, 2300:

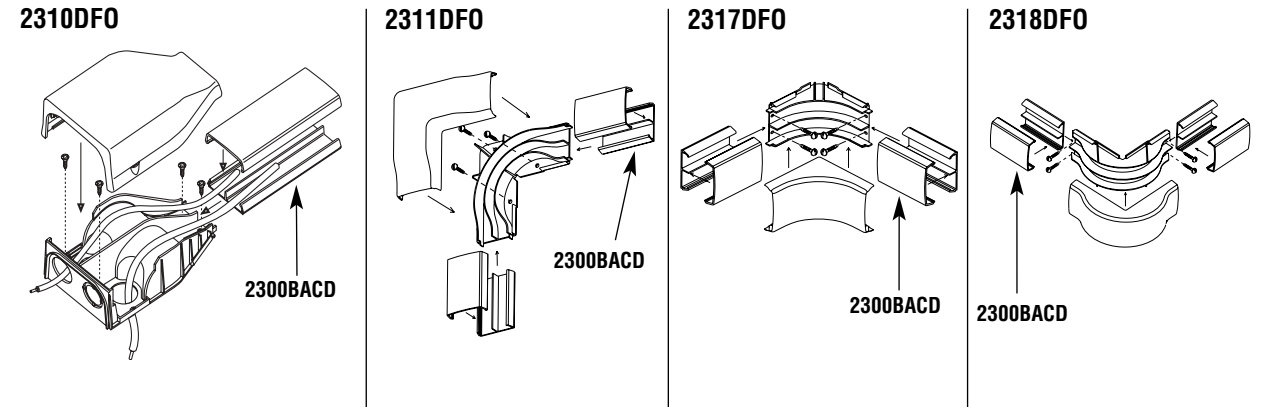
2344, 2344-2, 2347, 2347-2, 2348, 2348-2, 2348-3 & 2348S/51



FIBERREADY® FITTINGS

For 2300 & 2300D:

2310DFO, 2311DFO, 2317DFO, 2318DFO



For 2300D Divided:

2344D, 2348D, 2344SD-2A

