



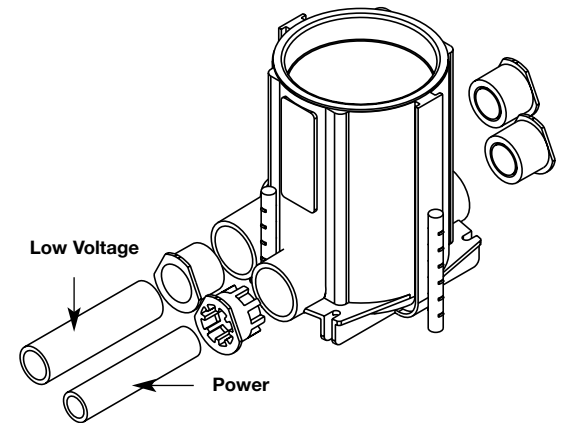
Walker® Infloor Systems

Ratchet-Pro™ 881 PVC Floor Box 895DCC Cover

INSTALLATION INSTRUCTIONS

Before Pour:

1. Locate box position. Orientation of duplex receptacle is aligned with the conduit.
2. Cement conduit closure plugs to unused ports and conduit reducers if reduction from the 1" [25mm] hubs is required.
3. Secure box to grade or form using nails, screws, rebar and wire or other appropriate means.
4. Cement conduit feed to hubs/reducers.
5. Pour concrete to required height (2 1/4" to 6 1/2" [57mm to 165mm]).
6. If used for dual service, use the center hubs for power and the outer hubs for low voltage.



After Concrete Sets:

1. Use a hand saw to cut the top of the box extending above the floor surface (see Figure 1).
2. **Tile:** Cut must be square and parallel with the floor surface for tile applications.
 - a. For 1/8" [3.2mm] thick tile, cut top of box flush with concrete pour.
 - b. For 3/8" [9.5mm] thick tile, cut top of box 1/4" [6.4mm] above concrete pour (see Figure 2).
 1. Cut away flanges at screed level (see Figure 3).
 2. Apply tile over concrete floor (see Figure 4).
 3. 1/4" [6.4mm] of grout is required between tile flange and tile (see Figure 5).

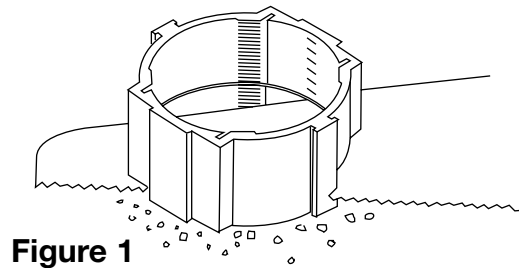


Figure 1

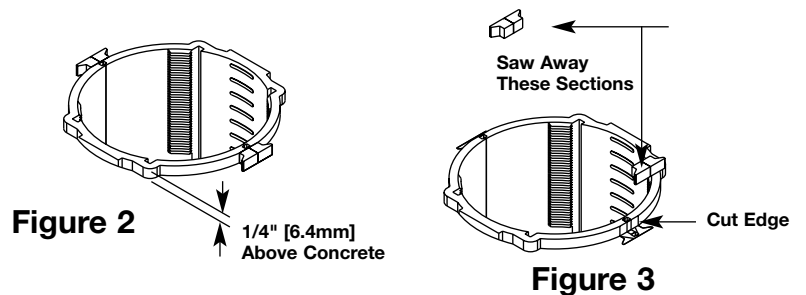


Figure 2

Figure 3

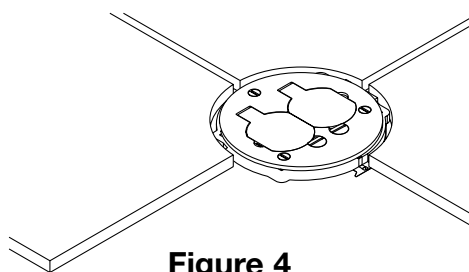


Figure 4

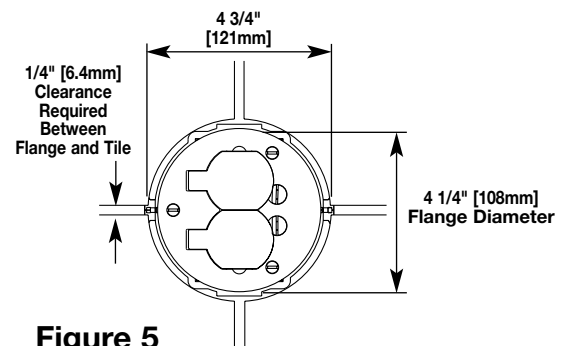


Figure 5

Walker® electrical systems conform to and should be properly grounded in compliance with requirements of the current National Electrical Code or codes administered by local authorities.

All electrical products may present a possible shock or fire hazard if improperly installed or used. Walker electrical products may bear the mark as UL Listed and/or Classified and should be installed in conformance with current local and/or the National Electrical Code.

After Concrete Sets Continued:

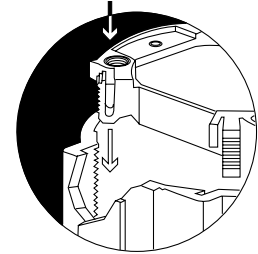
- 3. Carpet:** If floor covering is greater than 5/16" [7.9mm] thick, allow additional amount of the box to project above the floor to compensate. *Example: For 3/8" [9.5mm] thick carpet and padding, subtract 5/16" [7.9mm] from 3/8" [9.5mm] and allow an additional 1/16" [1.6mm] of the box to extend above the floor surface.*
- 4. When Installing Cat. No 895DCC on Wood Floor Covering:** Cut must be square and parallel with the floor surface. Cut top of box flush with the concrete pour. Using a hole saw, cut a 4 3/4" [121mm] diameter hole in the wood floor covering concentric with the opening in the top of the floor box. Install cover as shown below.

NOTE: A template is recommended to assure a desirable fit with the cover for thicker floor coverings. Use a 5" [127mm] diameter hole saw and remove a core from a steel or wood sheet with the same thickness as the required projection. Lay the template over the box and make cut flush with the template's surface.

Activation – Single Service: Power/Low Voltage:

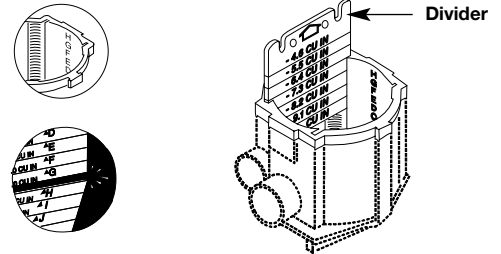
1. Use any Walker Systems 895 or 896 (brass or plastic activation).
2. Requires 881 Floor Box Adapter, Cat. No. 881ADP.
3. Wiring capacity is noted by the first legible marking visible in the interior of the box.
4. Wire and fasten device (if required) and cover to adapter.
5. Push adapter and cover assembly into box opening – no glue required!

Push Downward To Engage Teeth



Activation – Dual Service: Low Voltage Divider – Cat. No. 881DIV

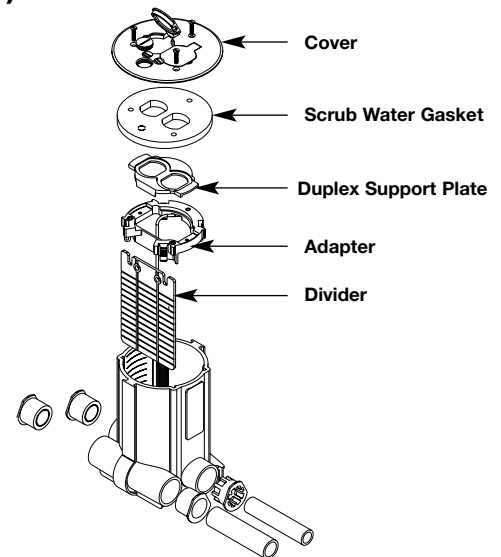
1. Divider height is determined by the first legible letter visible in the interior of the box.
2. Using a utility knife, score the groove in the divider just above the corresponding letter and snap apart.
3. Wiring capacity of the box is reduced by the largest number indicated at the bottom of the divider.
4. Slide the divider in set of grooves between the center and outer hubs.



Activation Cover – Cat. No. 895DCC (For use on 881 Floor Box):

NOTE: This cover is UL Listed for use on carpet and wood covered floors only.

1. Wire and fasten device to adapter.
2. Place duplex support plate (supplied with divider Cat. No. 881DIV) over receptacle.
3. Attach cover over adapter with three #8-32 x 1/2" [12.7mm] screws.
4. Remove 1/2" [12.7mm] screw plug and pull low voltage cables through opening.
5. Insert and push adapter and cover assembly into box opening – no glue required!



WIREMOLD®
Walker® Infloor Systems

Walker Systems, Inc.

U.S.

1000 Innovation Drive • Williamstown, WV 26187

1-800-240-2601 • FAX 800-254-5498 • Outside U.S.: 860-233-6251

Canada:

850 Gartshore Street • Fergus, Ontario N1M 2W8

1-800-741-7957 • FAX 519-843-5980

