

WIREMOLD



Omnibox™ Floor Box For Wood Floors INSTALLATION INSTRUCTIONS

Installation Instruction No.: 1A0153 R2 – Updated December 2006

Wiremold / Legrand electrical systems conform to and should be properly grounded in compliance with requirements of the current National Electrical Code or codes administered by local authorities.

All electrical products may present a possible shock or fire hazard if improperly installed or used. Wiremold / Legrand electrical products may bear the mark as UL Listed and/or Classified and should be installed in conformance with current local and/or the National Electrical Code.

IMPORTANT: Please read all instructions before beginning.

Products Covered: 880W1, 880W2, 880W3, 880W1817B, 880W1818TCAL, 880W2827B, 880W2828TCAL, 880W3837B, 880W3838TCAL

OUTLET BOX INSTALLATION:

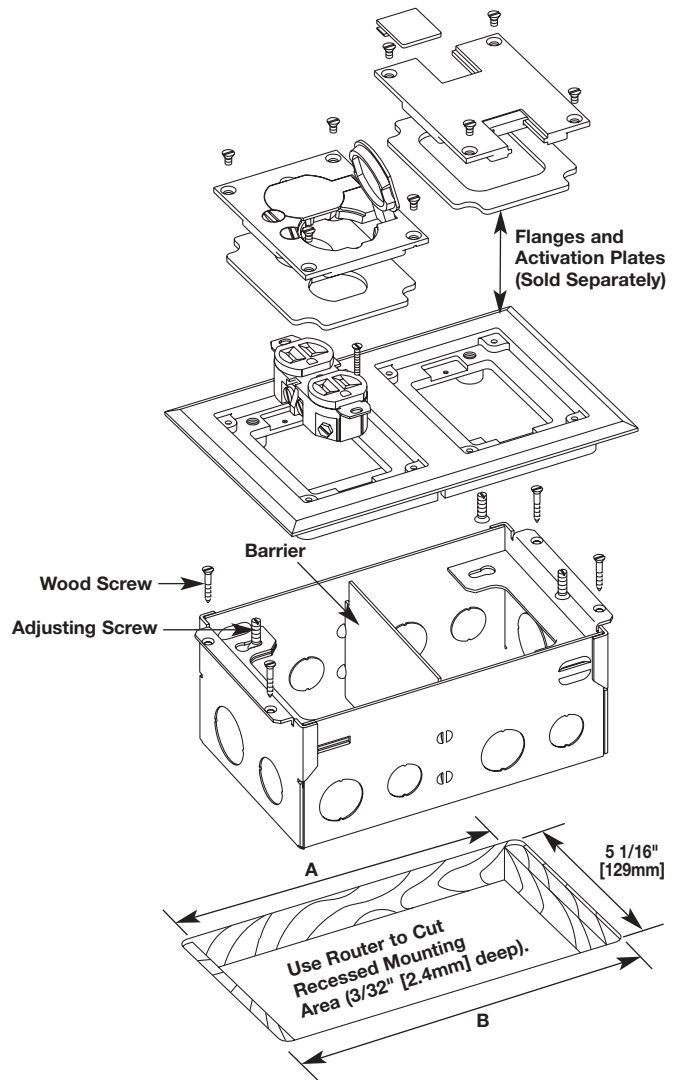
1. Determine box location and conduit layout.
2. Once located, cut opening in wood floor (see chart below for required opening size) for one-, two-, or three-gang configuration.
3. Install barrier(s) in box if more than one service is required (two- and three-gang boxes only).
4. Remove knockouts as required for wiring. Place outlet box into opening in floor.
5. Secure box to floor using four #6 x 1" [25mm] wood screws (not supplied by Wiremold / Legrand).
6. Attach conduit to box using proper conduit adapters (not supplied by Walker Systems, Inc.).
7. Install dust cover until box is ready to be activated.

NOTE: Box and dust cover are not designed to withstand a load without activation ring installed.

FLANGE INSTALLATION:

(Use carpet flange for both carpet and tile applications.)

1. Remove dust cover by inserting screwdriver into slots provided and pry away from box.
2. Install four 11/16" [17.5mm] long adjusting screws in box by sliding the beveled head under the retaining slot.
3. Place activation ring over box and secure by inserting a narrow blade screwdriver through the adjusting screw holes and turning counter clockwise. Adjust and tighten as required.
4. Feed wires and cables through conduit and extend required length outside of box and through the opening in the adjusting ring.
5. Wire devices in accordance with the National Electrical Code or any local code that applies. (Devices not supplied by Wiremold / Legrand).
6. Install optional activation plates to suit power and communication requirements using installation instructions provided with units (sold separately).



Cat. No.	A	B
880W1	3 15/16" [84mm]	4 5/8" [118mm]
880W2	8 1/16" [204mm]	8 3/4" [212mm]
880W3	12 3/16" [310mm]	12 7/8" [327mm]

NOTE: All dimensions + 1/16" [1.6mm] - 0"

WIREMOLD



Wiremold / Legrand

U.S. and International:

60 Woodlawn Street • West Hartford, CT 06110

1-800-621-0049 • FAX 860-232-2062 • Outside U.S.: 860-233-6251

Canada:

570 Applewood Crescent • Vaughan, Ontario L4K 4B4

1-800-723-5175 • FAX 905-738-9721

