

525 SERIES™ SERVICE FITTINGS



525 Series Service Fittings deliver the flexibility of interchangeable faceplates and the durability to withstand multiple adds, moves and changes.

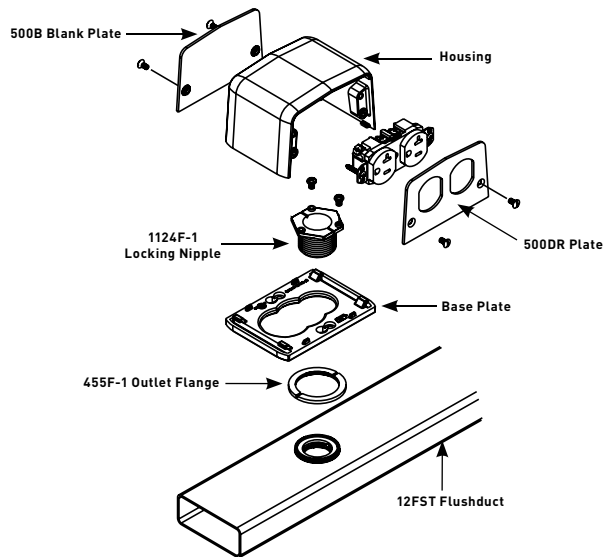
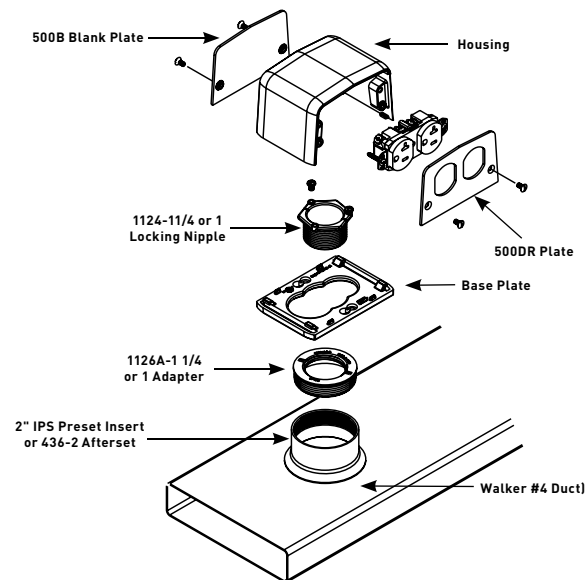
CODE REFERENCE

cULus Listed Underfloor Raceway Fittings:
File E11912, Guide RQKX
Meets Article 390 of NEC

525 Series Service Fittings Installation Details

1. Typical installation diagram to adapt 525 Series Service Fittings to underfloor duct or cellular raceway: 2" [51mm] IPS Preset or afterset inserts.

2. Typical installation diagram to adapt 525 Series Service Fittings to Flushduct (1 5/8" [41mm] opening).



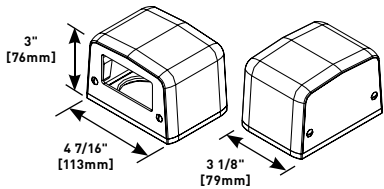
COLOR OPTIONS

All 525 Series Service Fittings are brushed aluminum finish unless otherwise specified in the part number description.
Custom color options are also available. Consult the factory for more information.

525 SERIES™ SERVICE FITTINGS

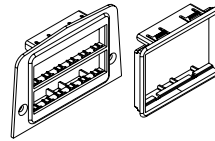
525 Series Service Fittings Ordering Information (continued)

525J Four-Piece Power Service Fitting



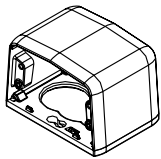
GFI device plate one side. Blank plate other side.

500RT Communication Device Plate



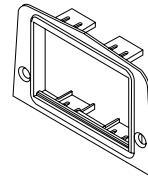
Single opening. Ortronics® Series II and TracJack adapters included.

525HB Service Fitting Housing



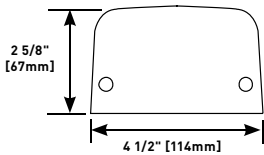
Housing and base plate for all four-piece fittings.

500ACT Communication Device Plate



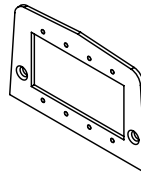
6A opening with mini adapter. Will accommodate Wiremold CM2 Open System communication modules.

500B Blank Faceplate



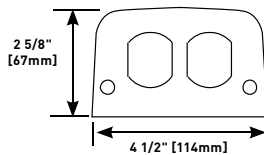
Blank faceplate for all four-piece fittings.

500-MAAP Extron® Device Plate



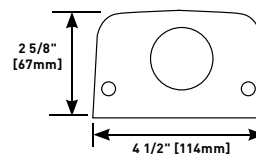
Accepts four (4) Extron® Electronics MAAP plates.

500DR Duplex Faceplate



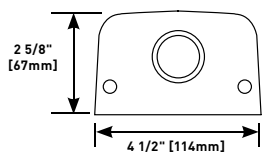
Accepts duplex receptacles.

Single Receptacle Device Plate



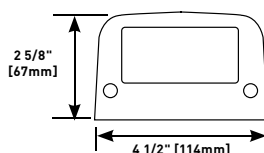
Single receptacle faceplate. Suffix indicates hole diameter.

500T Communication Faceplate



1" [25mm] I.D. grommeted opening.

500-GFI GFI Faceplate



Accepts GFI Decora style receptacle.

ORDERING INFORMATION

CAT. NO.	METRIC DIAMETER
500SP-1.0625	[27mm]
500SP-1.39	[35mm]
500SP-1/2	[12.7mm]
500SP-7/8	[22.2mm]
500SP-1 7/8	[29mm]
500SP-1 7/16	[36mm]
500SP-1 1/2	[38mm]
500SP-1 9/16	[40mm]
500SP-1 5/8	[41mm]
500SP-2	[51mm]

* Other sizes custom sizes are available. Consult factory for more information.

NOTE: Four-piece service fittings include: housing and base plate. Receptacles included when indicated in part number description. 525 Series Service Fittings have 27 cubic inches [442ml] of capacity.