

880W SERIES™ FLOOR BOXES



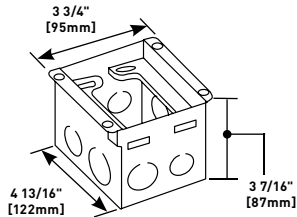
880W Series™ Floor Boxes provide an excellent solution for wood floor applications when both power and communication services are required in open space areas.

CODE REFERENCE

cULus Listed
Metallic Outlet Boxes:
 File E2961 Guide QCIT.
 Meets Article 300.22(c) of NEC.

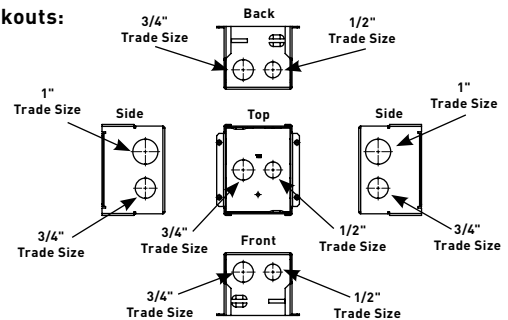
880W Series Floor Boxes Ordering Information

880W1 One-Gang Steel Floor Box for Wood Floors

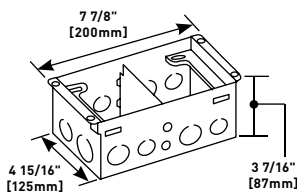


Knockouts for three (3) 1/2" [12.7mm], five (5) 3/4" [19.1mm] and two (2) 1" [25mm] conduits. 53 cu. in. [869ml] of capacity.

Knockouts:

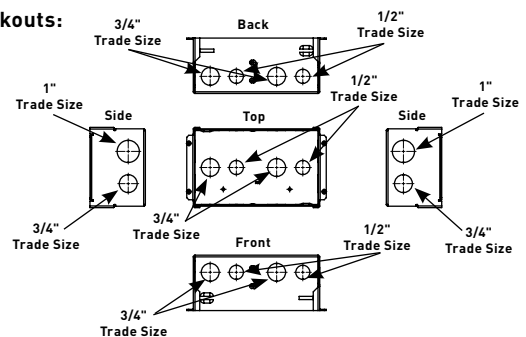


880W2 Two-Gang Steel Floor Box for Wood Floors



Knockouts for six (6) 1/2" [12.7mm], eight (8) 3/4" [19.1mm] and two (2) 1" [25mm] conduits. 58 cu. in. [951ml] of capacity in one compartment. 59 cu. in. [967ml] of capacity in second compartment. Barrier is removable for greater capacity if needed.

Knockouts:



COLOR OPTIONS



880W Series™ Flanges and Cover Plates are available in black, aluminum, gray, nickel, brass, bronze and brown. Custom color options are also available. Consult the factory for more information.