

PLUGMOLD® 2000TR SERIES™



Plugmold® 2000TR Series™ Tamper-Resistant Multi-Outlet Systems meet the 2008 NEC requirement 406.11 for Tamper Resistant receptacles in dwelling units.

CODE REFERENCE

cULus Listed Base & Blank Cover:
File E4376 Guide RJBT.

Multi-Outlet Assemblies:
File E15191 Guide PVGT.

Fittings:
File E41751 Guide RJPR.

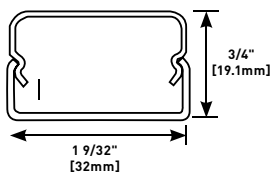
Base & Blank Cover
Meets Article 386 of NEC.

Plugmold Strips:
Meets Article 380 of NEC.

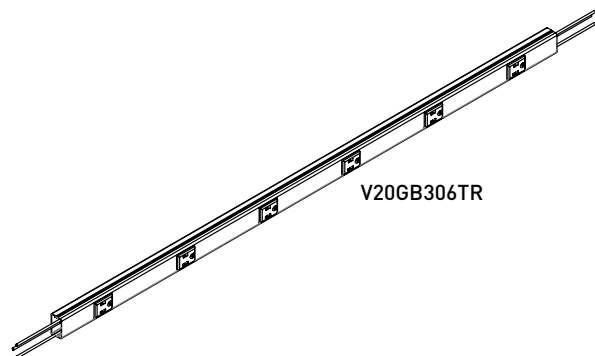
Steel Plugmold 2000TR Series Ordering Information

Tamper-Resistant Plugmold

Plugmold 2000TR Series
Cross Section



- PART NUMBERS:**
V20GB306TR
V20GB506TR (Ivory)
WH20GB306TR
WH20GB506TR (White)
G20GB306TR
G20GB506TR (Gray)
BK20GB306TR
BK20GB506TR (Black)
S20GB306TR
S20GB506TR
S20GB606TR (Stainless Steel)



Available in 3' [914mm] and 5' [1.5m] lengths with 6" [152mm] receptacle spacing. 15A tamper-resistant receptacles. 3-wire, #12 THHN (1 hot, 1 neutral, and insulated ground conductor). .040" [1.0mm] steel housing. Packed 2 per carton. Each unit supplied with one (1) Coupling and two (2) Blank End Fittings.

COLOR OPTIONS



2000 Series Plugmold is available in an Ivory, Gray, Black, or White baked enamel finish or in durable stainless steel or satin anodized aluminum unless otherwise specified in the part number description.

Custom color options are also available. Consult the factory for more information.