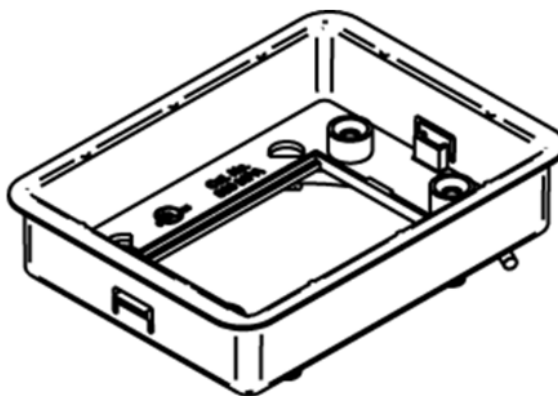


Modulink 880MP Series Adjusting Ring

880MPA



Comes with fiber storage loop. Also includes brass inserts for flange connection and green ground wire for ground connection. Wiremold CM Series Open System adapters that snap directly into the adjusting ring without the need for an adapter. Also includes mounting screws to attach flange to box body. NOTE: One 880MPA is needed for each 880MP used. For example, a three-gang box will require three 880MPA Adjusting Rings, ordered separately.

features & benefits

specifications

General Info

Product Series: Modulink 880MP
Component Type: Plates & Accessories