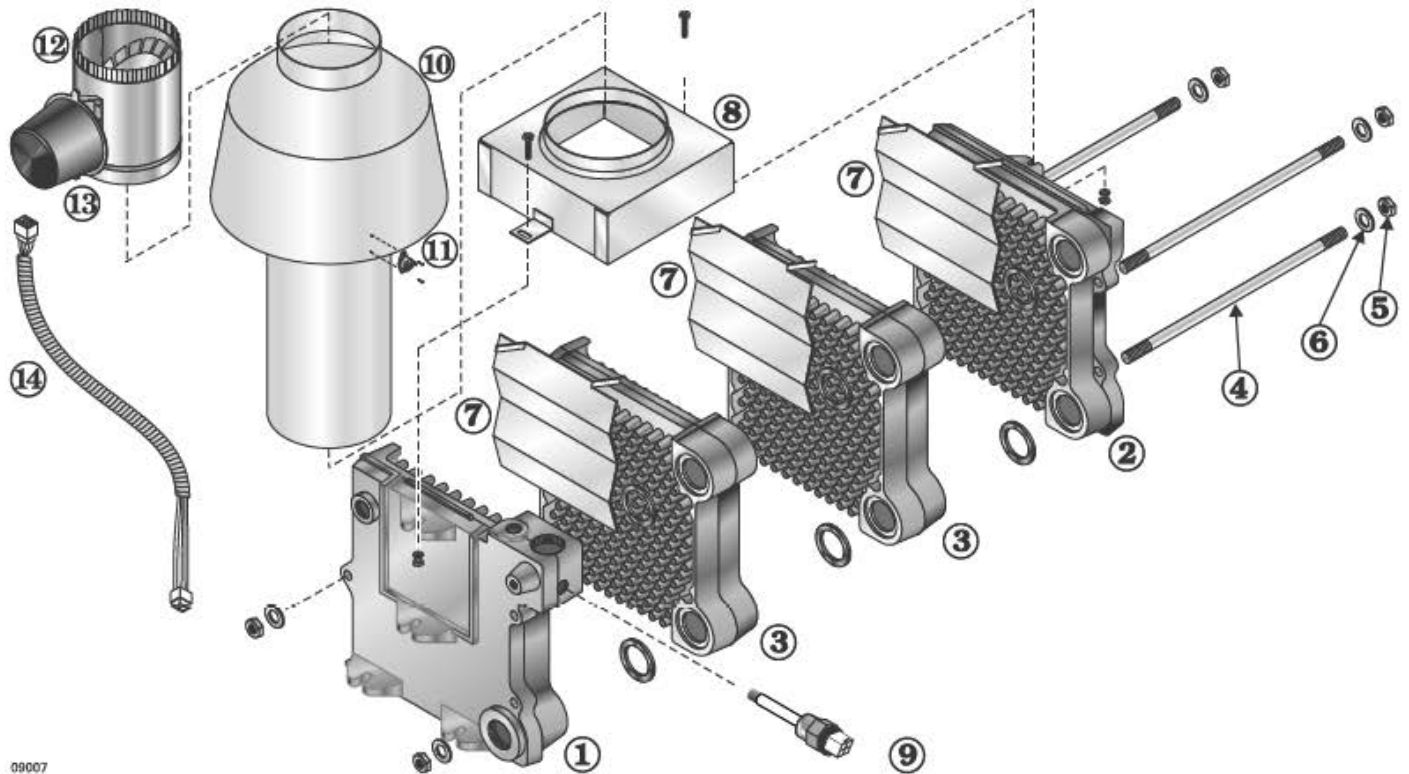




12b Replacement parts – section assembly

Figure 31 Section assembly, flue collector, draft hood and vent damper



09007

Item number	Description	Weil-McLain part number
1	End section, left hand, 51124	311-103-851
2	End section, right hand 51128	311-103-821
3	Intermediate section, 51125	311-103-818
not shown	Replacement section assembly CGa-25 and CGa-3 CGa-4 CGa-5 CGa-6 CGa-7 CGa-8	321-114-286 321-114-287 321-114-288 321-114-289 321-114-290 321-114-291
not shown	Section replacement kit, includes seals and sealant for 1 joint	381-354-527
4	Tie rod, 7/16" without nut (3 per boiler): CGa-25 & Ga-3 CGa-4 CGa-5 CGa-6 CGa-7 CGa-8	560-234-500 560-234-501 560-234-502 560-234-503 560-234-504 560-234-505
5	Nut, 7/16" (2 per tie rod)	561-928-235
6	Washer, 7/16" (1 per tie rod)	562-248-684
7	Radiation plate (1 per joint)	460-003-700
8	Collector hood CGa-25 CGa-3 CGa-4 CGa-5 CGa-6 CGa-7 CGa-8	381-354-625 381-354-626 381-354-627 381-354-628 381-354-926 381-354-630 381-354-631

Item number	Description	Weil-McLain part number
9	Boiler temperature sensor Tasseron TSL055D	381-356-577
10	Drafthood CGa-25 CGa-3 CGa-4 CGa-5 CGa-6 CGa-7 CGa-8	450-021-240 450-021-241 450-021-242 450-021-243 450-021-244 450-021-245 450-021-246
11	Spill switch (210°F) Spill switch (240°F) CGa-25 CGa-3 through -8	510-300-013 510-300-014
12	Vent Damper CGa 25 & 3 4" CGa-4 5" CGa-5 & 6 6" CGa-7 & 8 7"	381-800-474 381-800-475 381-800-476 381-800-477
13	Vent Damper Actuator Effikal RVGP	510-512-337
14	Vent Damper Harness	591-391-795