

EG Series 4 Intermittent Ignition

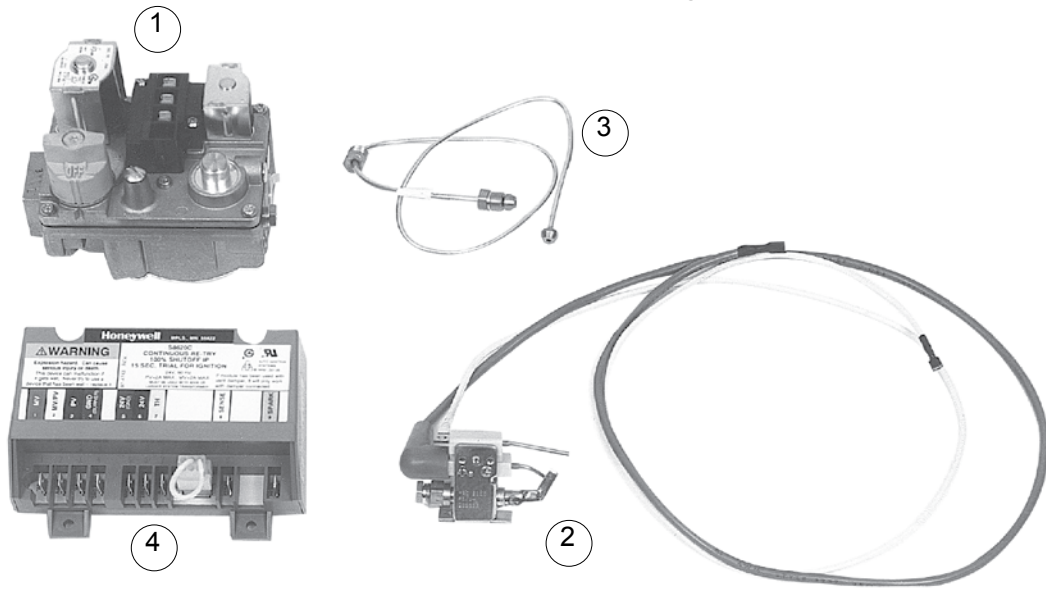


Fig. No.	Part No.	Description	Mfr	Mfr.'s Part No	EG Series 4 Boiler Size								
					30	35	40	45	50	55	65	75	
1	511-044-381	*Combination Gas Control Valve, 1/2" x 1/2"N.P.T., 24 Volt	Honeywell	VR8204A2001	X	X	X	X	X				
1	511-044-381	*Combination Gas Control Valve, 1/2" x 1/2"N.P.T., 24 Volt	Robertshaw	7200IPER	X	X	X	X	X				
1	511-044-381	*Combination Gas Control Valve, 1/2" x 1/2"N.P.T., 24 Volt	White-Rodgers	36E36-266	X	X	X	X	X				
1	511-044-382	*Combination Gas Control Valve, 3/4" x 3/4"N.P.T., 24 Volt	Honeywell	VR8304P4348						X	X	X	
1	511-044-382	*Combination Gas Control Valve, 3/4" x 3/4"N.P.T., 24 Volt	White-Rodgers	36C74-474						X	X	X	
2	511-330-218	Pilot Assembly Kit with orifice, aluminum pilot gas tubing, and spark wire and sense wire	PSE	NA-16	X	X	X	X	X	X	X	X	X
3	560-742-860	Pilot Tubing Aluminum 1/8" OD x 22 3/4" Long, with Compression Fittings comes with pilot assembly			X	X	X	X	X	X	X	X	X
4	511-330-097	Ignition Control Module without Molex 24 Volt	Honeywell	S8620C1003	X	X	X	X	X	X	X	X	X
4	511-330-097	Ignition Control Module without Molex 24 Volt	United Technologies	1003-511	X	X	X	X	X	X	X	X	X
NS	540-130-959	Wiring Harness (in Envelope Assy) for Water Boilers without Tankless Heater ONLY	Weil-McLain		X	X	X	X	X	X	X	X	X
NS	540-130-960	Wiring Harness (in Envelope Assy) for Water Boilers with Tankless Heater ONLY	Weil-McLain			X	X	X	X	X	X		
NS	540-130-961	Wiring Harness (in Envelope Assy) for Steel Boilers with Foat LWCO ONLY	Weil-McLain		X	X	X	X	X	X	X	X	X
NS	540-130-962	Wiring Harness (in Envelope Assy) for Steel Boilers with Probe LWCO ONLY	Weil-McLain		X	X	X	X	X	X	X	X	X

GAS

*Combination Gas Valve Includes: Manual Gas Cock, Redundant Gas Valves, Main Pressure Regualtor, Pilot Take-off with filter and Pilot Adjustment.