



CG & EG Boilers

CG/CGa 25-8 Series 11/EG 30-65 Series 3

Standing Pilot

Replacement Instructions

Hazard definitions

The following defined terms are used throughout these instructions to bring attention to the presence of hazards of various risk levels or to important information concerning the life of the product.

- WARNING** Indicates presence of hazards that can cause severe personal injury, death or substantial property damage.
- CAUTION** Indicates presence of hazards that will or can cause minor personal injury or property damage.
- NOTICE** Indicates special instructions on installation, operation or maintenance that are important but not related to personal injury or property damage.

WARNING These Instructions must only be used by a qualified heating installer/service technician. **Before installing**, read all instructions, before servicing. Perform steps in the order given. Failure to comply could result in severe personal injury, death or substantial property damage.

WARNING This kit includes a new pilot burner assembly. All contents must be installed. Failure to do so can cause severe injury, death or substantial property damage. Standing pilot replacement kits are available for:

Kit P/N 510-811-644, CG 25-8 Natural Gas Pilot, including:

Pilot burner assembly consisting of:

Main burner with slanted pilot bracket and carryover slot Pilot assembly (HW Q350A)

Thermocouple

Pilot tubing

Kit P/N 510-811-646, CG 25-8 Propane Pilot, including:

Pilot burner assembly consisting of: Main burner with pilot bracket Pilot assembly (WR E38-2 with propane orifice)

Thermocouple

Pilot tubing

Kit P/N 510-811-640, EG 30-65 S3 Natural Gas, including:

Pilot burner assembly consisting of:

Main burner with pilot bracket and carryover slot Pilot assembly (HW Q350A)

Thermocouple

Pilot tubing

Kit P/N 510-811-640, EG 30-65 S3 Propane, including:

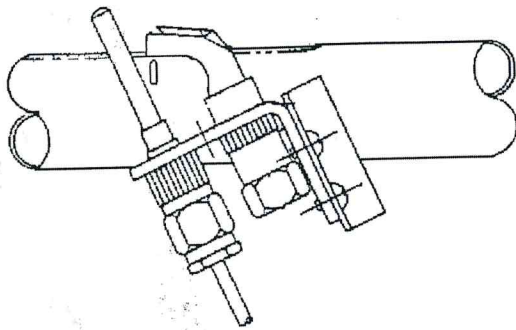
Pilot burner assembly consisting : Main burner with pilot bracket Pilot assembly (WR E38-2 with propane orifice)

Thermocouple

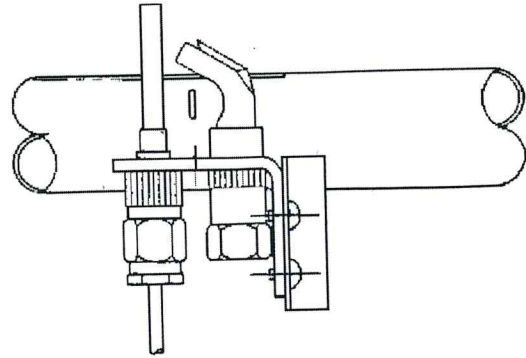
Pilot tubing



Natural gas Q350A pilot assembly must only be used on main burner with carryover slot Using Q350A with any other type of main burner can cause severe personal injury, death or substantial property damage.



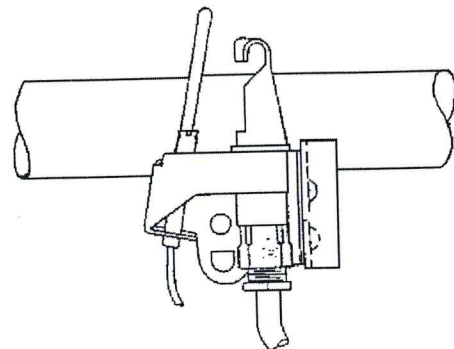
CG NAT. GAS Q350A PILOT BURNER ASSEMBLY
FIGURE 1



EG NAT. GAS Q350A PILOT BURNER ASSEMBLY
FIGURE 2



Do not use propane E38-2 pilot assembly on main burner with carryover slot. Pilot assembly can be damaged in operation, resulting in boiler operation failure.



CG OR EG PROPANE GAS E38-A PILOT BURNER ASSEMBLY
FIGURE 3

To replace standing pilot system's pilot assembly on natural gas or propane fired boilers:



Turn off electrical power to boiler and close manual main gas valve before servicing. Failure to do so can cause severe personal injury, death or substantial property damage.

1. Disconnect pilot gas tubing and thermocouple from gas valve on boiler.



On CG-25 & 3 boilers, do not discard pilot pressure regulator, fittings, and 1/4" tubing.

2. Remove and discard main burner with pilot assembly, thermocouple and pilot tubing.
3. Install new pilot gas tubing and new thermocouple on new pilot assembly.
4. Install replacement main burner with pilot assembly.
5. Reconnect pilot tubing and thermocouple to gas valve on boiler.



On CG-25 & 3, be sure to reconnect pilot pressure regulator.

6. Restore power to boiler. Open manual main gas valve. Follow lighting instructions on boiler to place boiler in normal operation.



WEIL-McLAIN[®]

Weil-McLain
500 Blaine Street
Michigan City, IN 46360-2388
<http://www.weil-mclain.com>