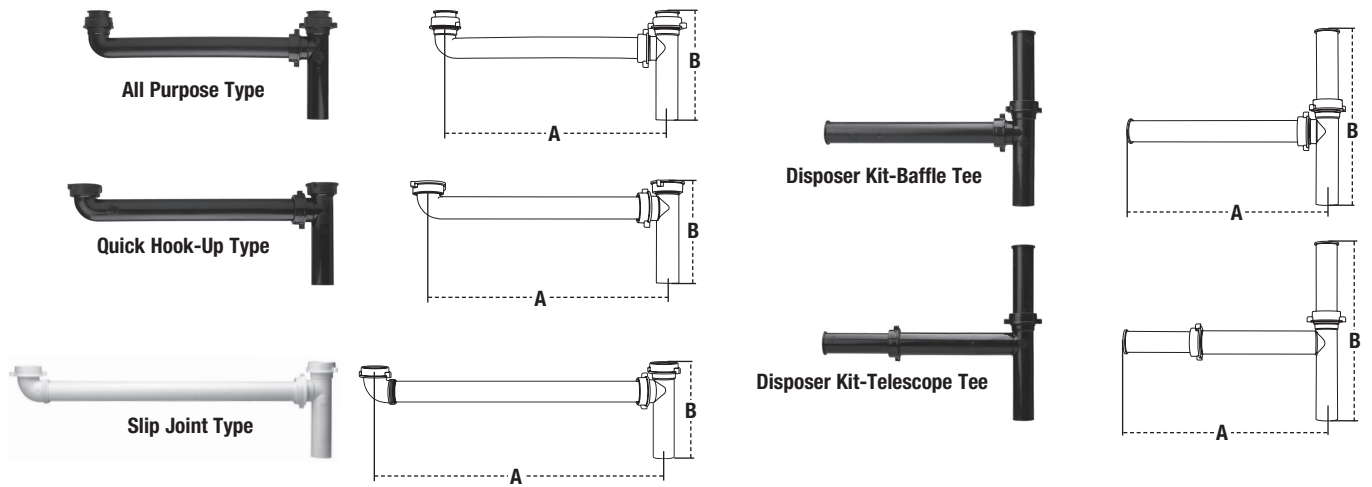


For Commercial & Residential Applications

Job Name _____ Contractor _____
 Job Location _____ Approval _____
 Engineer _____ Contractor's P.O. No. _____
 Approval _____ Representative _____

Plastic Continuous Wastes-End Outlet



MODEL	✓TO SUBMIT	DESCRIPTION	DIMENSIONS				COLOR
			A		B		
			<i>in</i>	<i>mm</i>	<i>in</i>	<i>mm</i>	
End Outlet - All Purpose Type							
549 333AP		1 1/2" x 16" centers	16	406	6 3/4	171	Black
549 666AP		1 1/2" x 16" centers	16	406	6 3/4	171	White
End Outlet - Slip Joint Type - Supplied with Baffle Tee							
549 333		1 1/2" x 16" centers	16	406	7	178	Black
549 666		1 1/2" x 16" centers	16	406	7	178	White
550 666		1 1/2" x 21" centers	21	533	7	178	White
551 333		1 1/2" x 25" centers	25	635	7	178	Black
551 666		1 1/2" x 25" centers	25	635	7	178	White
End Outlet - Quick Hook-Up Type - Supplied with Baffle Tee							
590 333		1 1/2" x 16" centers	16	406	7	178	Black
590 666		1 1/2" x 16" centers	16	406	7	178	White
591 666		1 1/2" x 21" centers	21	533	7	178	White
End Outlet Disposer Kits - Supplied with Baffle Tee							
603 333DK		1 1/2" x OD tube	12	305	14	356	Black
603 666DK		1 1/2" x OD tube	12	305	14	356	White
End Outlet Disposer Kits - Supplied with Telescope Tee							
603 33DKT		1 1/2" x OD tube	12 1/2	318	14	356	Black
603 66DKT		1 1/2" x OD tube	12 1/2	318	14	356	White

Watts product specifications in U.S. customary units and metric are approximate and are provided for reference only. For precise measurements, please contact Watts Technical Service. Watts reserves the right to change or modify product design, construction, specifications, or materials without prior notice and without incurring any obligation to make such changes and modifications on Watts products previously or subsequently sold.



USA: 815 Chestnut St., No. Andover, MA 01845-6098; www.watts.com
Canada: 5435 North Service Rd., Burlington, ONT. L7L 5H7; www.wattscanada.ca
 ES-WB&T-Plstc-Cntns-Wsts-EO 0751

Brass & Tubular Products