

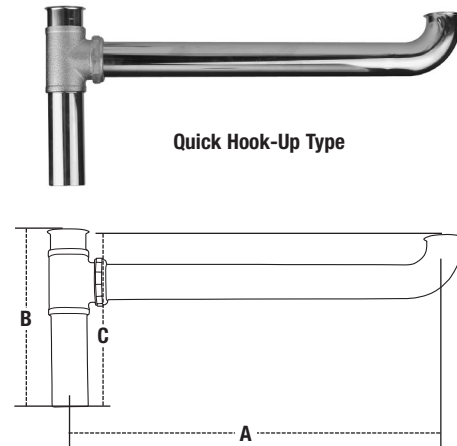
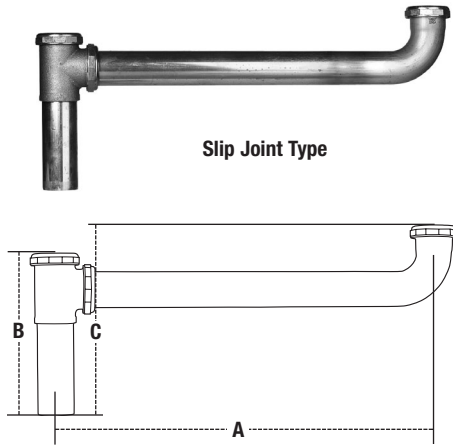
For Commercial & Residential Applications

Job Name _____
 Job Location _____
 Engineer _____
 Approval _____

Contractor _____
 Approval _____
 Contractor's P.O. No. _____
 Representative _____

Metal Continuous Wastes - End Outlet

• Supplied with Baffle Tee



MODEL	✓ TO SUBMIT	DESCRIPTION	DIMENSIONS						FINISH	
			A		B		C			D
			in.	mm.	in.	mm.	in.	mm.		
End Outlet Continuous Wastes - Slip Joint										
549 221		1 1/2" x 16" center	16	406	6 1/2	165	8 1/2	216	22 GA.	Rough Brass
549 222		1 1/2" x 16" center	16	406	6 1/2	165	8 1/2	216	22 GA.	Satin
550 221		1 1/2" x 21" center	21	406	6 1/2	165	8 1/2	216	22 GA.	Rough Brass
550 222		1 1/2" x 21" center	21	533	6 1/2	165	8 1/2	216	22 GA.	Satin
549 202		1 1/2" x 16" center	16	406	6 1/2	165	8 1/2	216	20 GA.	Satin
549 201B		1 1/2" x 16" center - brass nut	16	406	6 1/2	165	8 1/2	216	20 GA.	Rough Brass
550 202		1 1/2" x 21" center	21	533	6 1/2	165	8 1/2	216	20 GA.	Satin
549 172		1 1/2" x 16" center	16	406	6 1/2	165	8 1/2	216	17 GA.	Satin
550 172		1 1/2" x 21" center	21	533	6 1/2	165	8 1/2	216	17 GA.	Satin
End Outlet Continuous Wastes - Quick Hook-Up										
590 222		1 1/2" x 16" center	16	406	6 1/2	165	8	203	22 GA.	Satin
590 202		1 1/2" x 16" center	16	406	6 1/2	165	8	203	20 GA.	Satin
590 172		1 1/2" x 16" center - brass nut	16	406	6 1/2	165	8	191	17 GA.	Satin



815 Chestnut Street • N. Andover, MA 01845
 Tel: 978.688.1811 Fax: 978.794.1848
 www.wattsbrass-tubular.com

Watts product specifications in U.S. customary units and metric are approximate and are provided for reference only. For precise measurements, please contact Watts Technical Service. Watts reserves the right to change or modify product design, construction, specifications, or materials without prior notice and without incurring any obligation to make such changes and modifications on Watts products previously or subsequently sold.