

Installation Instructions

LFFBV-3C-QC

Brass Ball Valves with Quick-Connect End Connections

To Connect / Pour se relier / Para conectar



⚠ WARNING



Read this Manual **BEFORE** using this equipment.

Failure to read and follow all safety and use information can result in death, serious personal injury, property damage, or damage to the equipment.

Keep this Manual for future reference.

⚠ ADVERTENCIA

Lea este manual **ANTES** de utilizar este equipo.

El no leer y seguir todas las medidas de seguridad y usar la información puede causar la muerte, lesiones personales graves, daños materiales o daños en el equipo.

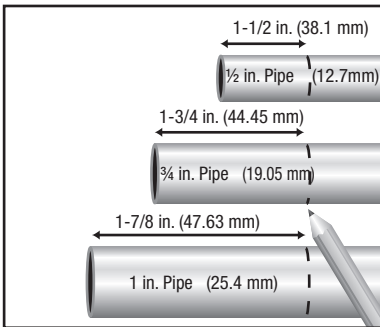
Guarde este manual para referencia futura.

⚠ AVERTISSEMENT

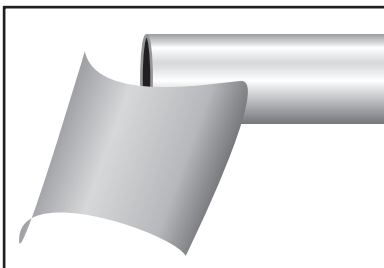
Lisez attentivement ce manuel avant d'utiliser cet équipement.

Négliger de lire et de suivre toutes les consignes de sécurité et d'utilisation de l'information peut entraîner la mort, des blessures graves ou des dégâts matériels, ou endommager l'équipement.

Veillez conserver ce manuel pour toute référence ultérieure.



1. Mark pipe as shown. This is pipe insertion depth.
1. Marquez la pipe comme montrée. C'est la profondeur de mise en place de pipe.
1. Marque el tubo según lo mostrado. Ésta es la profundidad de la inserción del tubo.

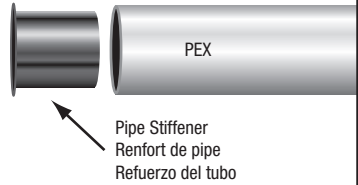


2. Clean pipe end.
2. Nettoyez l'embout de tuyau.
2. Limpie el extremo de tubo.

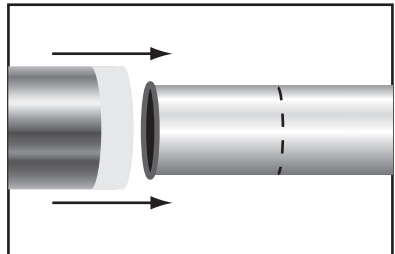
PEX tubing only

Tuyauterie de PEX seulement

Aislante de tubo de PEX solamente

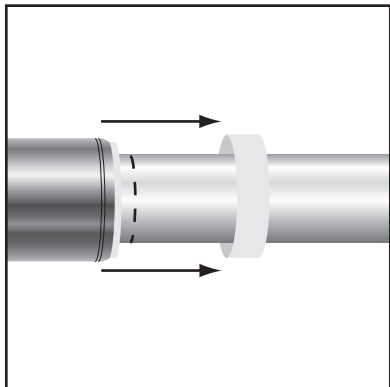


3. Insert pipe stiffener (provided) into end of pipe.
3. Insérez le renfort inclus de pipe dans l'extrémité de la pipe.
3. Inserte el refuerzo incluido del tubo en el extremo del tubo.

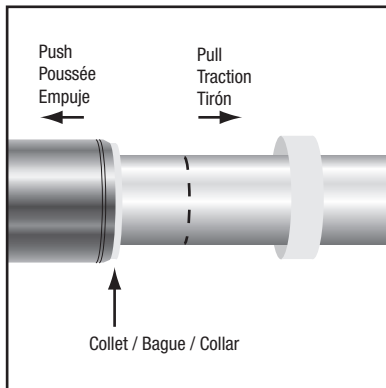


4. Push valve onto tubing to mark.
4. Poussez la valve sur la tuyauterie à la marque.
4. Empuje la válvula sobre el aislante de tubo a la marca.

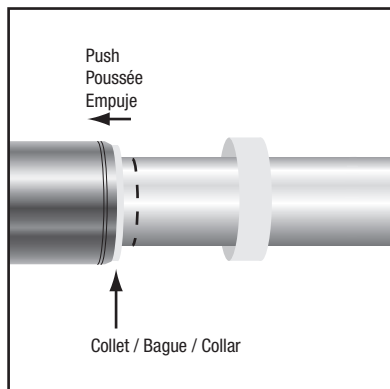
To Disconnect / Pour débrancher / Para desconectar



1. Gently remove cover.
1. Retirez doucement la couverture.
1. Quite suavemente la cubierta.



3. Pull tubing and remove valve.
3. Tirez la tuyauterie et retirez la valve.
3. Tire del aislante de tubo y quite la válvula.



2. Depress collet.
2. Enfoncez la bague.
2. Presione el collar.

WARNING: This product contains chemicals known to the State of California to cause cancer and birth defects or other reproductive harm.

For more information: www.watts.com/prop65

AVERTISSEMENT: Ce produit contient des produits chimiques reconnus par l'État de Californie comme étant cancérogènes et pouvant provoquer des anomalies congénitales ou affecter la capacité de reproduction.

Pour plus d'informations: www.watts.com/prop65

ADVERTENCIA: Este producto contiene sustancias químicas que en el Estado de California se conocen como causantes de cáncer y malformaciones u otros daños reproductivos.

Para más información: www.watts.com/prop65

Limited Warranty: Watts Regulator Company warrants each product to be free from defects in material and workmanship under normal usage for a period of one year from the date of original shipment. In the event of such defects within the warranty period, the Company will, at its option, replace or recondition the product without charge. This shall constitute the sole and exclusive remedy for breach of warranty, and the Company shall not be responsible for any incidental, special or consequential damages, including without limitation, lost profits or the cost of repairing or replacing other property which is damaged if this product does not work properly, other costs resulting from labor charges, delays, vandalism, negligence, fouling caused by foreign material, damage from adverse water conditions, chemical, or any other circumstances over which the Company has no control. This warranty shall be invalidated by any abuse, misuse, misapplication or improper installation of the product. THIS WARRANTY IS IN LIEU OF ALL OTHER WARRANTIES, EXPRESS OR IMPLIED, INCLUDING ANY IMPLIED WARRANTIES OF MERCHANTABILITY OR FITNESS FOR A PARTICULAR PURPOSE. Any implied warranties that are imposed by law are limited in duration to one year.

Some States do not allow limitations on how long an implied warranty lasts, and some States do not allow the exclusion or limitation of incidental or consequential damages. Therefore the above limitations may not apply to you. This Limited Warranty gives you specific legal rights, and you may have other rights that vary from State to State. You should consult applicable state laws to determine your rights.

WATTS®

A Watts Water Technologies Company

USA: Tel. (978) 688-1811 • Fax: (978) 794-1848 • www.watts.com

Canada: Tel. (905) 332-4090 • Fax: (905) 332-7068 • www.watts.com