

## For Commercial & Residential Applications

Job Name \_\_\_\_\_

Contractor \_\_\_\_\_

Job Location \_\_\_\_\_

Approval \_\_\_\_\_

Engineer \_\_\_\_\_

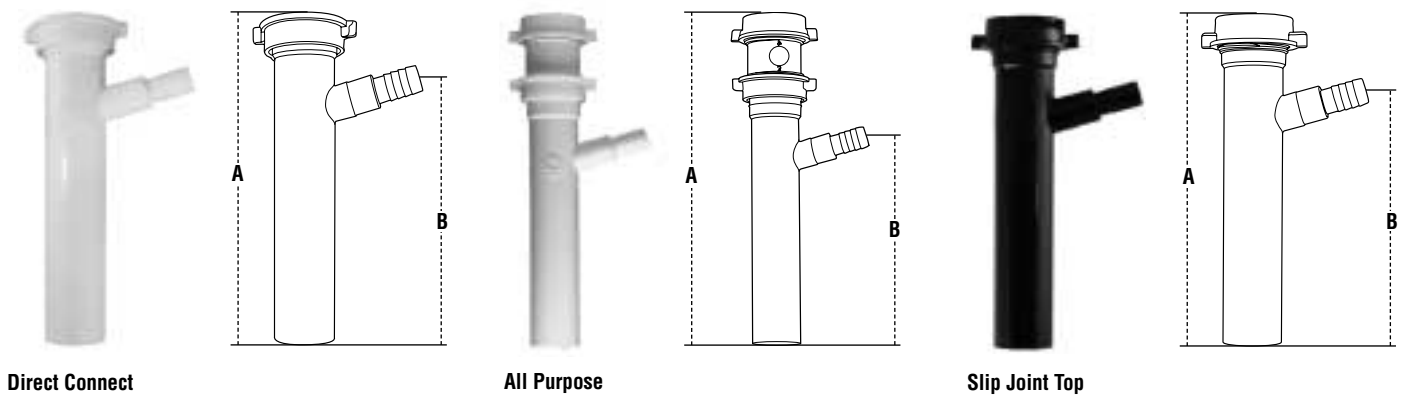
Contractor's P.O. No. \_\_\_\_\_

Approval \_\_\_\_\_

Representative \_\_\_\_\_

# Plastic Dishwasher Tailpieces

- Molded-in baffles



Direct Connect

All Purpose

Slip Joint Top

MODEL	✓ TO SUBMIT	DESCRIPTION	DIMENSIONS				COLOR
			A		B		
			in	mm	in	mm	
761 664		1 1/2" x 8" x 1/2" - 3/4" branch, slip JT top	8	203	6 1/2	165	White
761 334		1 1/2" x 8" x 1/2" - 3/4" branch, slip JT top	8	203	6 1/2	165	Black
761 665		1 1/2" x 8" x 1/2" - 3/4" branch, direct connect	8	203	6 1/2	165	White
761 335		1 1/2" x 8" x 1/2" - 3/4" branch, direct connect	8	203	6 1/2	165	Black
761 6663		1 1/2" x 8" x 3/4" branch, slip JT top	8	203	6 1/2	165	White
761 3333		1 1/2" x 8" x 3/4" branch, slip JT top	8	203	6 1/2	165	Black
761 6662		1 1/2" x 8" x 3/4" branch, direct connect	8	203	6 1/2	165	White
761 3332		1 1/2" x 8" x 3/4" branch, direct connect	8	203	6 1/2	165	Black
761 665AP		1 1/2" x 8" x 1/2" - 3/4" branch, all purposes slip JT or direct connect	8	203	6 1/2	165	White



815 Chestnut Street • N. Andover, MA 01845  
 Tell: 978.688.1811 Fax: 978.794.1848  
 www.wattsbrass-tubular.com

Watts product specifications in U.S. customary units and metric are approximate and are provided for reference only. For precise measurements, please contact Watts Technical Service. Watts reserves the right to change or modify product design, construction, specifications, or materials without prior notice and without incurring any obligation to make such changes and modifications on Watts products previously or subsequently sold.