

For Gas Water Heater Applications

Job Name _____
 Job Location _____
 Engineer _____
 Approval _____

Contractor _____
 Approval _____
 Contractor's P.O. No. _____
 Representative _____

Series 210-5

Automatic Gas Shutoff Valves

Series 210-5 automatic gas shutoff valves are positive-acting energy shutoff for the emergency temperature protection of gas water heaters. They are self-contained devices independent of all other operating controls. They provide protection against overheating water in the domestic hot water supply heating systems by automatically shutting off the gas supply to the heater in the event that the water temperature reaches 210°F (99°C). Series 210-5 must be manually reset in order to resume heater service. This feature serves as a warning of malfunctioning of the normal operating controls. Manual resetting is easily done and does not require dismantling or replacing of any part of the valve. See "Reset Button" feature.

This gas shutoff differs from other contemporary design in that Watts engineers have embodied the time tested Watts auto-thermatic thermal actuator principle along with a snap-acting trip latch which closes the valve at a definite controlled temperature.

Models L210-5 M2, LL210-5 M2 and LLL210-5 M2 feature extended shanks for use with the new generation of water heaters containing extra thick insulation.

Features

- **Seating** - Buna N disc to metal seating assures positive seal for shutting off the gas to burner in the event of high water temperature conditions.
- **Reset Button** - After operating from high temperature, the gas shutoff must be manually reset (opened). Pressing the reset button in as far as it will go and then releasing, opens the valve and allows gas to again flow to the burner.
- **Trip Latch Assembly** - Snap acting latch releases the valve to closed at a definite controlled temperature. Stainless steel spring seats valve when trip latch releases valve to closed position
- **Thermostat** - Operates trip latch in response to water temperature. Thermobulb, temperature sensitive portion, is at end of extension tube for accurate response to tank temperature.

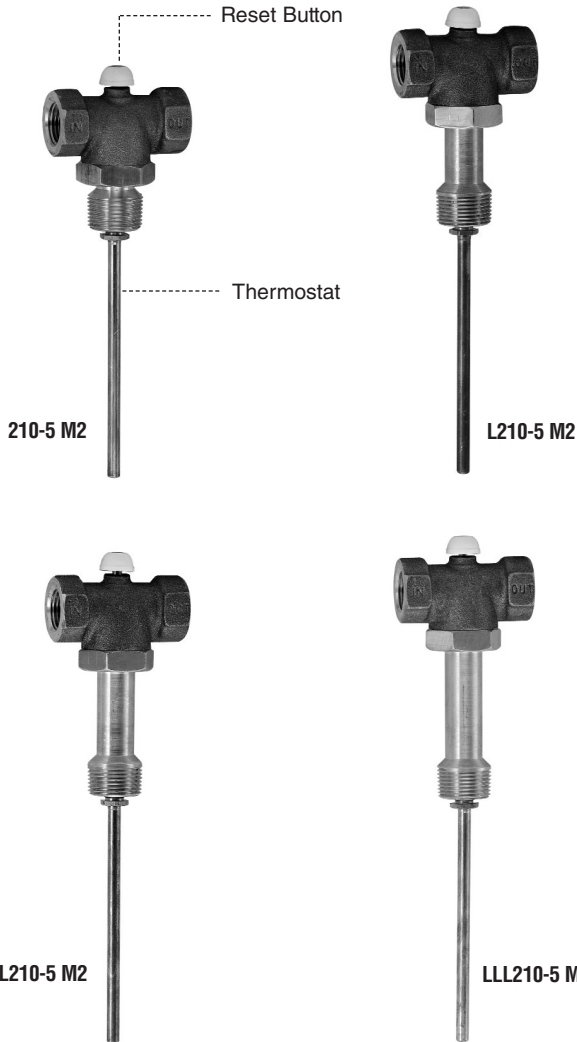
Models

- 210-5 M2** Suitable for water heaters with up to 3/4" of insulation
L210-5 M2 Suitable for water heaters with up to 2" of insulation
LL210-5 M2 Suitable for water heaters with up to 2 1/2" of insulation
LLL210-5 M2 Suitable for water heaters with up to 3" of insulation

Specifications

Standard setting: 210°F (99°C)

Extension: Furnished with 5" thermostat extension only.



IMPORTANT: INQUIRE WITH GOVERNING AUTHORITIES FOR LOCAL INSTALLATION REQUIREMENTS



Watts product specifications in U.S. customary units and metric are approximate and are provided for reference only. For precise measurements, please contact Watts Technical Service. Watts reserves the right to change or modify product design, construction, specifications, or materials without prior notice and without incurring any obligation to make such changes and modifications on Watts products previously or subsequently sold.

Typical Installations

Installation: The gas shutoff valve must be installed so that the thermostat is immersed in the water within the upper 6" of the tank **DO NOT INSTALL IN COLD WATER LINE.**

Note: The installation of a separate pressure relief valve is necessary for installations using gas shutoffs.

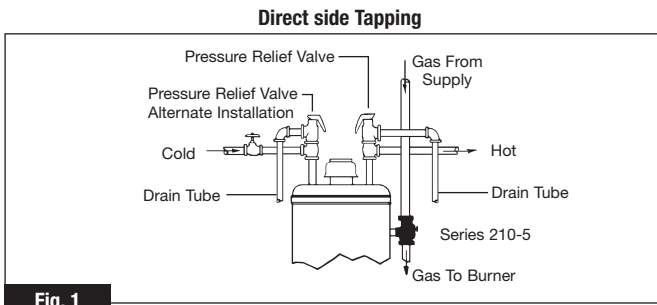
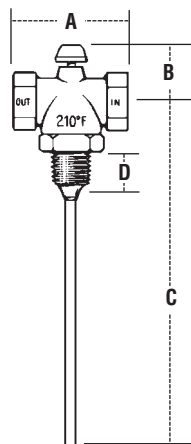


Fig. 1

Dimensions – Weights



“Alternate” Only When The Tappings Are Not Provided

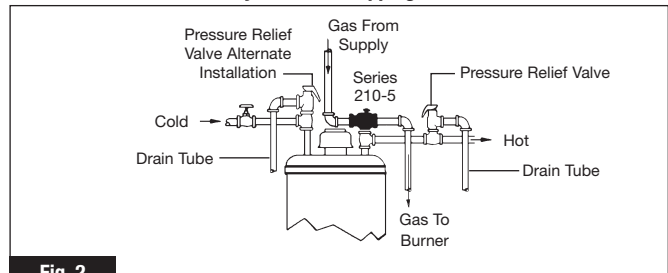


Fig. 2

“Alternate” Only When The Tappings Are Not Provided

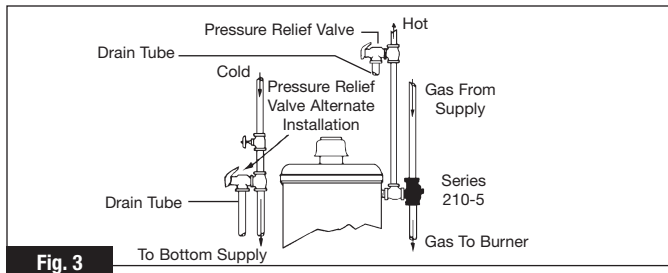


Fig. 3

Gas Capacity

C.S.A. listed ratings of this valve are:

- For use with natural gas 150,000 BTU/hr.
- For use with liquified petroleum gas 243,000 BTU/hr.

NOTE: See C.S.A. directory for adjustment factors when used with manufactured, mixed and L.P. gas-air mixtures.

MODEL	DIMENSIONS				WEIGHT					
	A		B		C		D		lbs	kgs.
	in.	mm	in.	mm	in.	mm	in	mm		
210-5 M2	2½	64	1⅝	29	8	203	7/8	22	1.0	0.45
L210-5 M2	2½	64	1⅝	29	7 ¹³ / ₁₆	198	17/8	48	1.0	0.45
LL210-5 M2	2½	64	1⅝	29	8 ⁵ / ₁₆	211	2 ³ / ₈	60	1.0	0.45
LLL210-5 M2	2½	64	1⅝	29	8 ¹³ / ₁₆	224	2 ⁷ / ₈	73	1.0	0.45

Models	Connections		Natural Gas	L.P. Gas	BTU/HR Ratings M.F.G. and L.P. Gas Air Mixtures	Mixed Gases
	Tank	Gas				
210-5 M2, L210-5 M2, LL210-5 M2, LLL210-5 M2	¾" male	½" female	150,000	243,000	77,400	125,750



USA: 815 Chestnut St., No. Andover, MA 01845-6098; www.wattsreg.com
Canada: 5435 North Service Rd., Burlington, ONT. L7L 5H7; www.wattscanada.ca