

For Steam Heating Applications

Job Name _____
 Job Location _____
 Engineer _____
 Approval _____

Contractor _____
 Approval _____
 Contractor's P.O. No. _____
 Representative _____

Series SV Non-Vacuum Float Type, Steam Air Vents

Series SV Non-Vacuum Float Type Steam Air Vents are designed to vent air on non-vacuum steam heating systems. Used on radiators, convectors and steam mains.

Model SV

For ordinary one-pipe steam systems not requiring proportional venting, (Non-Adjustable).

1/8" (3mm) angle connection

Model SVA

Adjustable air vent for proportional venting to steam heating systems.

1/8" (3mm) angle connection

Models SVS-1, SVS-2

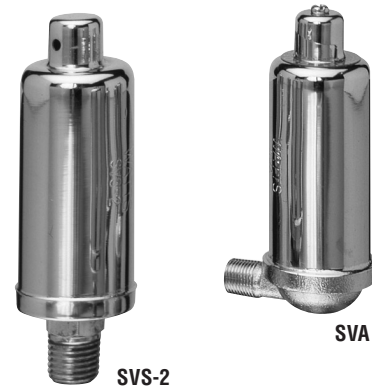
Non-adjustable air vents for steam system.

1/8" and 1/4" (3 and 8mm) straight connections

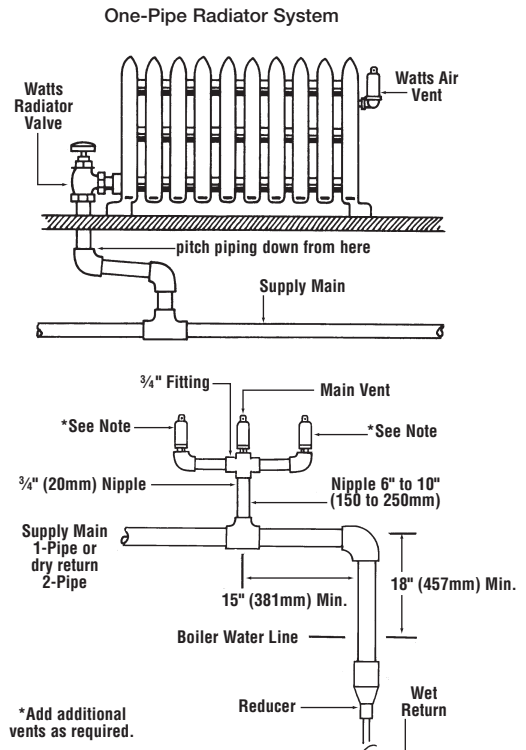
Model SVS-3

Straight connection, non-adjustable vent for mains.

1/2", 3/4" (15, 20mm)



Typical Installations



Materials of construction

Float: Brass

Body: Brass

Pressure

Model SVA

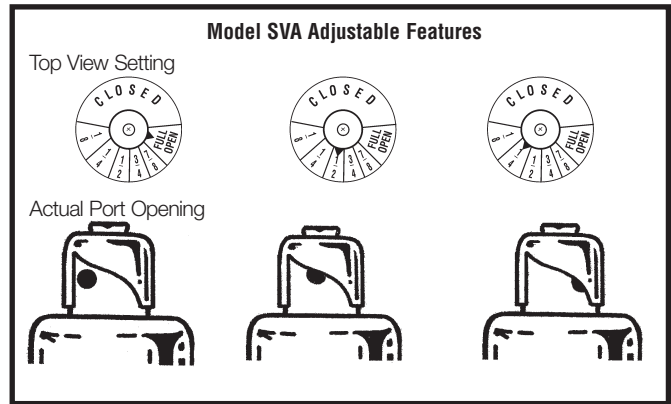
Maximum operating pressure 1.5psi (10.3 kPa).

Maximum pressure 10psi (68.0 kPa).

Model SV, SVS-1, SVS-2, and SVS-3

Maximum operating pressure 6psi (41.3 kPa).

Maximum pressure 10psi (68.9 kPa).



- **Fast Venting**

Full open or $\frac{7}{8}$ port for the radiation farthest from the boiler or hard to heat radiation (coldest rooms).

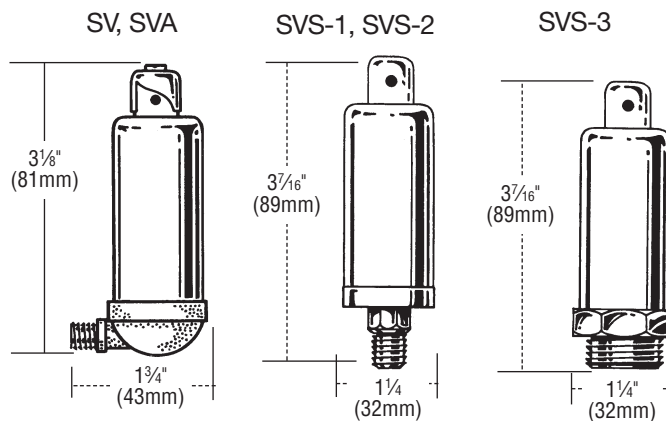
- **Medium Venting**

$\frac{1}{2}$ or $\frac{3}{4}$ port for radiation located between middle and end of main (warm rooms).

- **Slow Venting**

$\frac{1}{8}$ or $\frac{1}{4}$ port for radiation located closest to boiler (hot rooms).

Dimensions



USA: 815 Chestnut St., No. Andover, MA 01845-6098; www.wattsreg.com

Canada: 5435 North Service Rd., Burlington, ONT. L7L 5H7; www.wattscanada.ca