

**For Hydronic Heating Applications**

Job Name \_\_\_\_\_  
 Job Location \_\_\_\_\_  
 Engineer \_\_\_\_\_  
 Approval \_\_\_\_\_

Contractor \_\_\_\_\_  
 Approval \_\_\_\_\_  
 Contractor's P.O. No. \_\_\_\_\_  
 Representative \_\_\_\_\_

# Series 2000 Two-Way Flow Checks

**Sizes: 3/4"-3" (20-80mm)**

Series 2000 Two-Way Flow Checks are designed to provide positive gravity shutoff when circulator is not running. These checks are easily opened for gravity circulation.

### Models

**2000-M5** – 3/4"-3" (20-80mm) horizontal and angle checks. Iron body construction. Sizes 3/4"-1 1/2" (20-40mm) have female threaded connections. Sizes 2"-3" (50-80mm) have one flanged outlet x two female threaded connections. One connection can be used for the installation of an expansion tank when installed as an angle check.

**2000S-M5** – 3/4"-1" (20-25mm) straight pattern. Bronze body construction, solder inlet and outlet connections.

### Specifications

Flow checks shall be installed on forced hot water heating systems where indicated on the plans to provide positive gravity shutoff when circulator is not running. Checks shall be easily opened for gravity circulation. Threaded end connection checks shall have an iron body and solder end connection checks shall have a bronze body. Check shall be a Watts Regulator Company Series 2000.

### Pressure – Temperature

Sizes 3/4"-1 1/4" (20-32mm)

- Maximum Working Pressure – 50psi (344.8 kPa)
- Temperature Range 33°F - 250°F (5°C - 121°C)

Sizes 1 1/2"-3" (40-80mm)

- Maximum Working Pressure – 125psi (8.6 bars)
- Temperature Range 33°F - 250°F (5°C - 121°C)

### Materials

Model 2000-M5

- Body: Iron
- Seat: Bronze
- Center Guide: Brass

Model 2000S-M5

- Body: Bronze
- Seat: Bronze
- Center Guide: Brass



**2000-M5**  
3/4"-1 1/2"



**2000-M5**  
2", 2 1/2", 3"

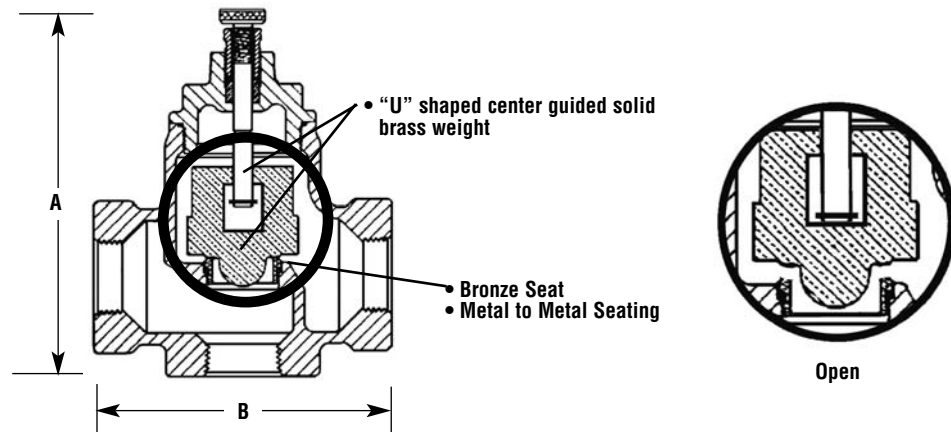


**2000S-M5**  
3/4"-1"



Watts product specifications in U.S. customary units and metric are approximate and are provided for reference only. For precise measurements, please contact Watts Technical Service. Watts reserves the right to change or modify product design, construction, specifications, or materials without prior notice and without incurring any obligation to make such changes and modifications on Watts products previously or subsequently sold.

## Dimensions-Weights



MODEL	SIZE (DN)		DIMENSIONS				WEIGHT			
	<i>in.</i>	<i>mm</i>	<b>A</b>		<b>B</b>		<b>Max. Pressure</b>			
			<i>in.</i>	<i>mm</i>	<i>in.</i>	<i>mm</i>	<i>psi</i>	<i>kPa/bars</i>	<i>lbs.</i>	<i>kgs.</i>
2000-M5	3/4	20	5	127	4 1/8	105	50	345 kPa	3	1.36
2000-M5	1	25	5	127	4 1/8	105	50	345 kPa	3	1.36
2000-M5	1 1/4	32	5 5/8	143	4 3/4	121	50	345 kPa	4 1/2	2.04
2000-M5	1 1/2	40	7 1/4	184	5	127	125	8.61 bars	8	3.63
2000-M5	2	50	7 1/2	191	6 7/8	175	125	8.61 bars	12	5.44
2000-M5	2 1/2	65	9 5/8	245	8 3/8	213	125	8.61 bars	22	9.98
2000-M5	3	80	10	250	9	229	125	8.61 bars	24	10.9
2000S-M5	3/4	20	3 5/8	92	3	76	50	345 kPa	1	.45
2000S-M5	1	25	3 7/8	98	3 3/4	95	50	345 kPa	2	.91

REPAIR KITS			
Model	Size		Ordering Code
	<i>in.</i>	<i>mm</i>	
2000-M5	3/4 and 1	20 and 25	0856765
2000-M5	1 1/4	32	0856766
2000S-M5	3/4	20	0856767
2000S-M5	1	25	0856768

**A LEADER IN VALVE TECHNOLOGY**  
  
**WATTS**  
**REGULATOR**  
 — Since 1874 — Watts Industries, Inc. —  
 Water Products Division • Safety & Control Valves

**ISO 9001**  
 CERTIFIED

**USA:** 815 Chestnut St., No. Andover, MA 01845-6098; [www.wattsreg.com](http://www.wattsreg.com)

**Canada:** 5435 North Service Rd., Burlington, ONT. L7L 5H7; [www.wattscda.com](http://www.wattscda.com)

© Watts Regulator Company, 2003