

For Residential and Commercial Applications

Job Name _____
 Job Location _____
 Engineer _____
 Approval _____

Contractor _____
 Approval _____
 Contractor's P.O. No. _____
 Representative _____

Series 1156F

Feed Water Pressure Regulators

Size: 1/2" (15mm)

Series 1156F feed water pressure regulators are designed to fill the boiler and system piping with water and to maintain water pressure in the system at all times. These valves also provide make up water to the system in the event of system leaks. Series 1156F features a high capacity performance as well as unique simplified servicing accessibility for complete unitized maintenance.

Features

- Choice of inlet connections (threaded, union solder or union threaded)
- Tight seating check valve
- Purge lever for manual purging
- High capacity
- Stainless steel strainer to protect the valve disc from fouling

Models

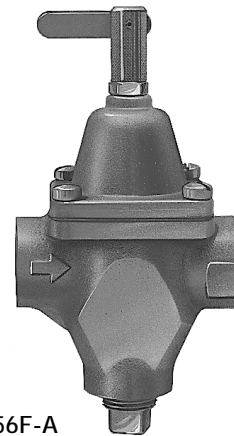
- 1156F – Threaded inlet connection
- 1156F-A – Threaded inlet connection and 1/2" NPT female bottom connection for installation of an expansion tank
- S1156F – Union solder inlet connection
- T1156F – Union threaded inlet connection
- B1156F – Bronze valve body with threaded inlet connection
- TB1156F – Bronze valve body with union threaded inlet connection
- SB1156F – Bronze valve body with union solder inlet connection

Specifications

A feed water pressure regulator shall be installed on the boiler or where indicated on the plans to fill boiler piping with water and to provide make up water in the event of system leaks. The regulator shall have high capacity performance and a simplified servicing design. The feed water pressure regulator shall be a Watts Regulator Company Series 1156F.



B1156F



1156F-A



Watts product specifications in U.S. customary units and metric are approximate and are provided for reference only. For precise measurements, please contact Watts Technical Service. Watts reserves the right to change or modify product design, construction, specifications, or materials without prior notice and without incurring any obligation to make such changes and modifications on Watts products previously or subsequently sold.

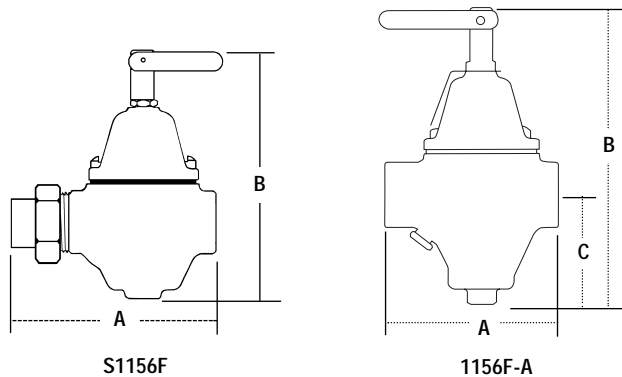
Pressure – Temperature

Maximum Temperature: 212°F (100°C)

Maximum Working Pressure: 100psi (6.9 bars)

Adjustment Range: 10 – 25psi (68.7 – 172.4 kPa)
set at 15psi (103.4 kPa)

Dimensions — Weights



MODEL	SIZE (DN)		DIMENSIONS						WEIGHT	
	in.	mm	A		B		C		lbs.	kgs.
1156F	1/2	15	3 1/2	89	5 3/8	137	–	–	2.1	.95
1156F-A	1/2	15	3 1/2	89	5 3/4	146	2 1/4	57	2.1	.95
T1156F	1/2	15	4 1/4	108	5 3/8	137	–	–	2.2	1
S1156F	1/2	15	4 1/8	105	5 3/8	137	–	–	2.3	1
B1156F*	1/2	15	3 1/2	89	5 3/8	137	–	–	2.1	1
SB1156F*	1/2	15	4 3/8	111	5 3/8	137	–	–	2.2	1
TB1156F*	1/2	15	4 1/8	105	5 3/8	137	–	–	2.3	1

* Bronze body



USA: 815 Chestnut St., No. Andover, MA 01845-6098; www.wattsreg.com

Canada: 5435 North Service Rd., Burlington, ONT. L7L 5H7; www.wattscda.com

© Watts Regulator Company, 2003