

Dimensional Document

Viega ManaBloc



This document is subject to updates. For the most current Viega technical literature please visit www.viega.us.



Viega products are designed to be installed by licensed and trained plumbing and mechanical professionals who are familiar with Viega products and their installation. **Installation by non-professionals may void Viega LLC's warranty.**

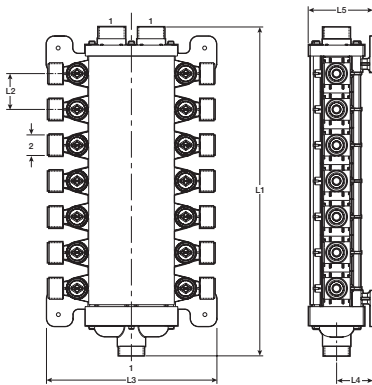


Zero Lead identifies Viega products meeting the lead free requirements of NSF/ANSI/CAN 61 through testing under NSF/ANSI/CAN 372 (0.25% or less maximum weighted average lead content).

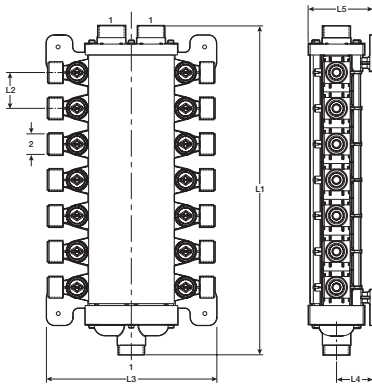


Eco Brass is a high grade, zero-lead alloy with high strength and corrosion resistance.

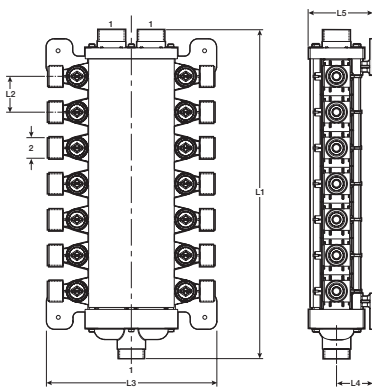
ManaBloc Distribution Manifold - Model V5040.6



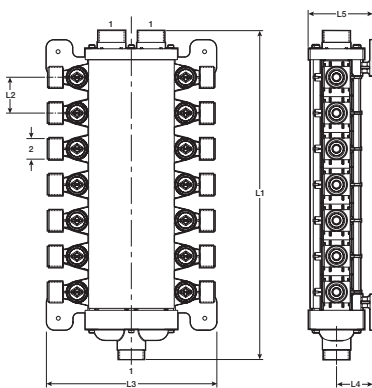
Part No.	Size (in)		Ports	L1 (in)		L2 (in)		L3 (in)	L4 (in)		L5 (in)
	1	2		Dec	Frac	Dec	Frac		Dec	Frac	
49610	1 x 5/8	NPSM	14	15.44	15 7/16	1.68	1 11/16	8.00	1.70	1 1/4	3.00
49615	1 x 5/8	NPSM	18	18.80	18 13/16	1.68	1 11/16	8.00	1.70	1 1/4	3.00
49620	1 x 5/8	NPSM	24	24.16	24 3/4	1.68	1 11/16	8.00	1.70	1 1/4	3.00
49625	1 x 5/8	NPSM	30	28.88	28 7/8	1.68	1 11/16	8.00	1.70	1 1/4	3.00
49630	1 x 5/8	NPSM	36	33.92	33 15/16	1.68	1 11/16	8.00	1.70	1 1/4	3.00

ManaBloc Distribution Manifold - Model V5040.0


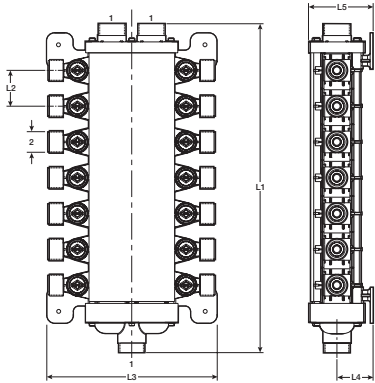
Part No.	Size (in)		Ports	L1 (in)		L2 (in)		L3 (in)	L4 (in)		L5 (in)
	1	2		Dec	Frac	Dec	Frac		Dec	Frac	
49635	1 x 5/8	NPSM	24	24.16	24 3/16	1.68	1 11/16	8.00	1.70	1 11/16	3.00
49640	1 x 5/8	NPSM	30	28.88	28 7/8	1.68	1 11/16	8.00	1.70	1 11/16	3.00
49645	1 x 5/8	NPSM	36	33.92	33 15/16	1.68	1 11/16	8.00	1.70	1 11/16	3.00

ManaBloc Distribution Manifold Press - Model V5630


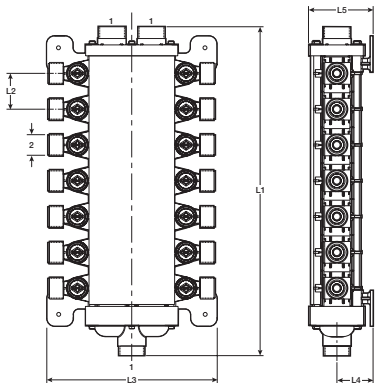
Part No.	Size (in)		Ports	L1 (in)		L2 (in)		L3 (in)	L4 (in)		L5 (in)
	1	2		Dec	Frac	Dec	Frac		Dec	Frac	
49142	1 x 5/8	NPSM	12	15.44	15 7/16	1.68	1 11/16	8.00	1.70	1 11/16	3.00
49143	1 x 5/8	NPSM	14	15.44	15 7/16	1.68	1 11/16	8.00	1.70	1 11/16	3.00
49183	1 x 5/8	NPSM	18	18.80	18 13/16	1.68	1 11/16	8.00	1.70	1 11/16	3.00
49243	1 x 5/8	NPSM	24	24.16	24 3/16	1.68	1 11/16	8.00	1.70	1 11/16	3.00
49303	1 x 5/8	NPSM	30	28.88	28 7/8	1.68	1 11/16	8.00	1.70	1 11/16	3.00
49363	1 x 5/8	NPSM	36	33.92	33 15/16	1.68	1 11/16	8.00	1.70	1 11/16	3.00

ManaBloc Distribution Manifold Press - Model V5640


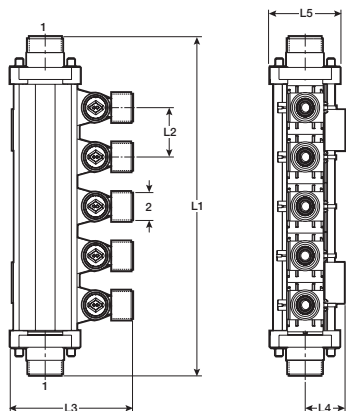
Part No.	Size (in)		Ports	L1 (in)		L2 (in)		L3 (in)	L4 (in)		L5 (in)
	1	2		Dec	Frac	Dec	Frac		Dec	Frac	
49186	1 x 5/8	NPSM	18	18.80	18 13/16	1.68	1 11/16	8.00	1.70	1 11/16	3.00
49246	1 x 5/8	NPSM	24	24.16	24 3/16	1.68	1 11/16	8.00	1.70	1 11/16	3.00
49306	1 x 5/8	NPSM	30	28.88	28 7/8	1.68	1 11/16	8.00	1.70	1 11/16	3.00
49366	1 x 5/8	NPSM	36	33.92	33 15/16	1.68	1 11/16	8.00	1.70	1 11/16	3.00

Viega ManaBloc Distribution Manifold Zero Lead Crimp - Model V5030.8


Part No.	Size (in)		Ports	L1 (in)		L2 (in)		L3 (in)	L4 (in)		L5 (in)	
	1	2		Dec	Frac	Dec	Frac		Dec	Frac	Dec	Frac
50244	1 x 3/8	NPSM	12	12.34	12 ⁵ / ₁₆	1.68	1 ¹¹ / ₁₆	8.00	1.68	1 ¹¹ / ₁₆	2.94	2 ¹⁵ / ₁₆
50142	1 x 3/8	NPSM	14	15.85	15 ⁷ / ₈	1.68	1 ¹¹ / ₁₆	8.00	1.68	1 ¹¹ / ₁₆	2.94	2 ¹⁵ / ₁₆
50143	1 x 1/2	NPSM	14	15.85	15 ⁷ / ₈	1.68	1 ¹¹ / ₁₆	8.00	1.68	1 ¹¹ / ₁₆	2.94	2 ¹⁵ / ₁₆
50245	1 x 3/8	NPSM	18	16.17	16 ³ / ₁₆	1.68	1 ¹¹ / ₁₆	8.00	1.68	1 ¹¹ / ₁₆	2.94	2 ¹⁵ / ₁₆
50250	1 x 1/2	NPSM	18	16.17	16 ³ / ₁₆	1.68	1 ¹¹ / ₁₆	8.00	1.68	1 ¹¹ / ₁₆	2.94	2 ¹⁵ / ₁₆
50247	1 x 3/8	NPSM	24	24.16	24 ³ / ₁₆	1.68	1 ¹¹ / ₁₆	8.00	1.68	1 ¹¹ / ₁₆	2.94	2 ¹⁵ / ₁₆
50243	1 x 1/2	NPSM	24	24.16	24 ³ / ₁₆	1.68	1 ¹¹ / ₁₆	8.00	1.68	1 ¹¹ / ₁₆	2.94	2 ¹⁵ / ₁₆
50248	1 x 3/8	NPSM	30	29.25	29 ¹ / ₄	1.68	1 ¹¹ / ₁₆	8.00	1.68	1 ¹¹ / ₁₆	2.94	2 ¹⁵ / ₁₆
50303	1 x 1/2	NPSM	30	29.25	29 ¹ / ₄	1.68	1 ¹¹ / ₁₆	8.00	1.68	1 ¹¹ / ₁₆	2.94	2 ¹⁵ / ₁₆
50249	1 x 3/8	NPSM	36	34.29	34 ⁵ / ₁₆	1.68	1 ¹¹ / ₁₆	8.00	1.68	1 ¹¹ / ₁₆	2.94	2 ¹⁵ / ₁₆
50363	1 x 1/2	NPSM	36	34.29	34 ⁵ / ₁₆	1.68	1 ¹¹ / ₁₆	8.00	1.68	1 ¹¹ / ₁₆	2.94	2 ¹⁵ / ₁₆

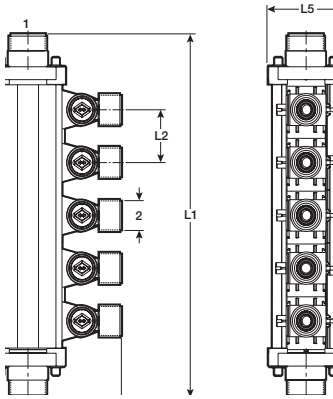
Viega ManaBloc Distribution Manifold - Model V5030.51


Part No.	Size (in)		Ports	L1 (in)		L2 (in)		L3 (in)	L4 (in)		L5 (in)	
	1	2		Dec	Frac	Dec	Frac		Dec	Frac	Dec	Frac
51618	1 x 3/8	NPSM	18	19.17	19 ³ / ₁₆	1.68	1 ¹¹ / ₁₆	8.00	1.68	1 ¹¹ / ₁₆	2.94	2 ¹⁵ / ₁₆
50624	1 x 3/8	NPSM	24	24.16	24 ³ / ₁₆	1.68	1 ¹¹ / ₁₆	8.00	1.68	1 ¹¹ / ₁₆	2.94	2 ¹⁵ / ₁₆
50630	1 x 3/8	NPSM	30	29.25	29 ¹ / ₄	1.68	1 ¹¹ / ₁₆	8.00	1.68	1 ¹¹ / ₁₆	2.94	2 ¹⁵ / ₁₆
50636	1 x 3/8	NPSM	36	34.29	34 ⁵ / ₁₆	1.68	1 ¹¹ / ₁₆	8.00	1.68	1 ¹¹ / ₁₆	2.94	2 ¹⁵ / ₁₆

MiniBloc Zoning Manifold Press - Models V5650 / V5660


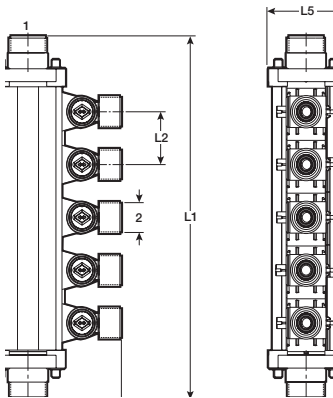
Part No.	Size (in)		Ports	L1 (in)		L2 (in)		L3 (in)		L4 (in)		L5 (in)	
	1	2		Dec	Frac	Dec	Frac	Dec	Frac	Dec	Frac	Dec	Frac
49033	1 x 5/8	NPSM	3	8.19	8 ³ / ₁₆	1.68	1 ¹¹ / ₁₆	4.37	4 ³ / ₈	1.42	1 ⁷ / ₁₆	4.75	4 ³ / ₄
49043	1 x 5/8	NPSM	4	9.87	9 ⁷ / ₈	1.68	1 ¹¹ / ₁₆	4.37	4 ³ / ₈	1.42	1 ⁷ / ₁₆	4.75	4 ³ / ₄
49453*	1 x 5/8	NPSM	5	11.55	11 ⁹ / ₁₆	1.68	1 ¹¹ / ₁₆	4.37	4 ³ / ₈	1.42	1 ⁷ / ₁₆	4.75	4 ³ / ₄
49063	1 x 5/8	NPSM	6	13.23	13 ¹ / ₄	1.68	1 ¹¹ / ₁₆	4.37	4 ³ / ₈	1.42	1 ⁷ / ₁₆	4.75	4 ³ / ₄
49473*	1 x 5/8	NPSM	7	14.91	14 ¹⁵ / ₁₆	1.68	1 ¹¹ / ₁₆	4.37	4 ³ / ₈	1.42	1 ⁷ / ₁₆	4.75	4 ³ / ₄
49083	1 x 5/8	NPSM	8	16.59	16 ⁹ / ₁₆	1.68	1 ¹¹ / ₁₆	4.37	4 ³ / ₈	1.42	1 ⁷ / ₁₆	4.75	4 ³ / ₄
49410*	1 x 5/8	NPSM	10	19.95	19 ¹⁵ / ₁₆	1.68	1 ¹¹ / ₁₆	4.37	4 ³ / ₈	1.42	1 ⁷ / ₁₆	4.75	4 ³ / ₄

*Manifold incorporates hot and cold ports.

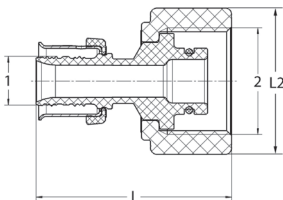
Viega MiniBloc Zoning Manifold Zero Lead Crimp - Model V5031.5


Part No.	Size (in)		Ports	L1 (in)		L2 (in)		L3 (in)		L4 (in)		L5 (in)	
	1	2		Dec	Frac	Dec	Frac	Dec	Frac	Dec	Frac	Dec	Frac
50033	1 x 5/8	NPSM	3	8.19	8 3/16	1.68	1 1/16	4.37	4 3/8	1.42	1 7/16	2.50	2 1/2
50043	1 x 5/8	NPSM	4	9.87	9 7/8	1.68	1 1/16	4.37	4 3/8	1.42	1 7/16	2.50	2 1/2
51063*	1 x 5/8	NPSM	5	11.55	11 9/16	1.68	1 1/16	4.37	4 3/8	1.42	1 7/16	2.50	2 1/2
50063	1 x 5/8	NPSM	6	13.23	13 1/4	1.68	1 1/16	4.37	4 3/8	1.42	1 7/16	2.50	2 1/2
51073*	1 x 5/8	NPSM	7	14.91	14 15/16	1.68	1 1/16	4.37	4 3/8	1.42	1 7/16	2.50	2 1/2
50083	1 x 5/8	NPSM	8	16.59	16 9/16	1.68	1 1/16	4.37	4 3/8	1.42	1 7/16	2.50	2 1/2
51003*	1 x 5/8	NPSM	10	19.95	19 15/16	1.68	1 1/16	4.37	4 3/8	1.42	1 7/16	2.50	2 1/2

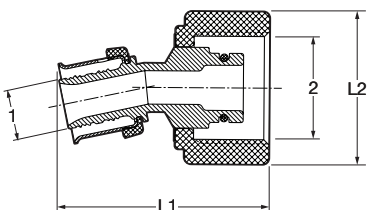
*Manifold incorporates hot and cold ports.

Viega MiniBloc Zoning Manifold - Model V5067


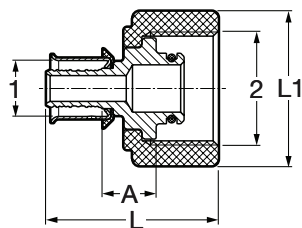
Part No.	Size (in)		Ports	L1 (in)		L2 (in)		L3 (in)		L4 (in)		L5 (in)	
	1	2		Dec	Frac	Dec	Frac	Dec	Frac	Dec	Frac	Dec	Frac
51063	1 x 1/2	NPSM	5	11.55	11 9/16	1.68	1 1/16	4.375	4 3/8	1.25	1 1/4	2.625	2 5/8
51073	1 x 1/2	NPSM	7	14.91	14 15/16	1.68	1 1/16	4.375	4 3/8	1.25	1 1/4	2.625	2 5/8
51003	1 x 1/2	NPSM	10	19.95	19 15/16	1.68	1 1/16	4.375	4 3/8	1.25	1 1/4	2.625	2 5/8

PureFlow Press Port Adapter Polymer P x Port - Model V5613.1


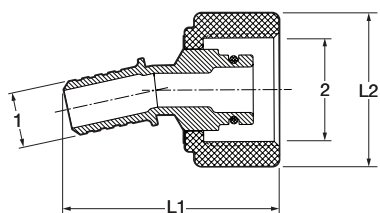
Part No.	Size (in)		L (in)		L2 (in)	
	1	2	Dec	Frac	Dec	Frac
49234	1/2 x 1/2	Port	1.89	1 7/8	1.40	1 3/8
49224	3/8 x 1/2	Port	1.89	1 7/8	1.40	1 3/8

Viega PureFlow Press Port Adapter Sweep - Model V5613.5


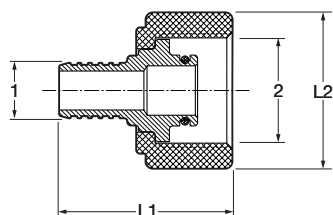
Part No.	Size (in)		L (in)		L1 (in)	
	1	2	Dec	Frac	Dec	Frac
50262	1/2 x 1/2	Port	1.96	1 15/16	1.42	1 7/16
50263	3/8 x 1/2	Port	1.95	1 15/16	1.42	1 7/16

PureFlow Press Port Adapter Zero Lead Bronze P x ManaBloc Port - Model 2877.3ZL


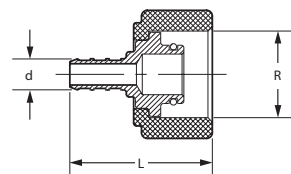
Part No.	Size (in)		A (in)		L (in)		L1 (in)	
	1	2	Dec	Frac	Dec	Frac	Dec	Frac
96101	3/8 x 1/2 Port		0.51	1/2	1.58	1 1/16	1.42	1 7/16
96120	1/2 x 1/2 Port		0.51	1/2	1.58	1 1/16	1.42	1 7/16

Viega ManaBloc Port Adapter Sweep - Model V5613.7


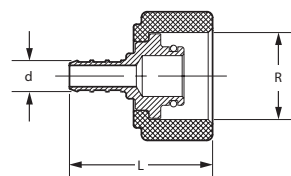
Part No.	Size (in)		L (in)		L1 (in)	
	1	2	Dec	Frac	Dec	Frac
50264	1/2 PB x 1/2 Port		1.99	2	1.42	1 7/16
50265	3/8 PB x 1/2 Port		1.98	2	1.42	1 7/16

Viega PureFlow Port Adapter Zero Lead Bronze for ManaBloc Polybutylene x Port - Model V5613.8


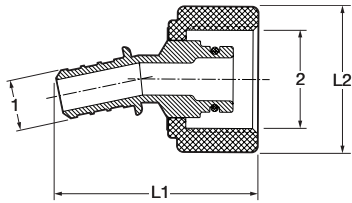
Part No.	Size (in)		L1 (in)		L2 (in)	
	1	2	Dec	Frac	Dec	Frac
50267	3/8 PB x 1/2 Port		1.58	1 1/16	1.42	1 7/16
50266	1/2 PB x 1/2 Port		1.57	1 1/16	1.42	1 7/16

Viega PureFlow Crimp Port Adapter Zero Lead Brass For ManaBloc Crimp x Port - Model V5039ZL


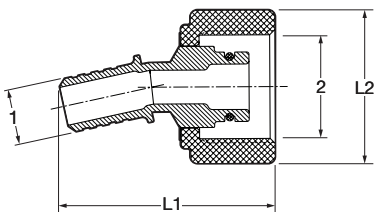
Part No.	Size (in)		L (in)	
	1	2	Dec	Frac
46624	3/8 x 1/2 Port		1.58	1 1/16
46634	1/2 x 1/2 Port		1.58	1 1/16

Viega PureFlow Crimp Port Adapter Zero Lead PolyAlloy for ManaBloc Crimp x Port - Model V5039.1


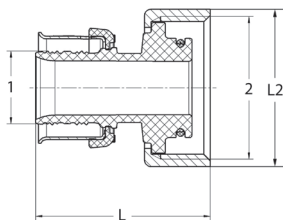
Part No.	Size (in)		L (in)	
	1		Dec	Frac
50023	3/8 x 1/2 Port		1.58	1 1/16
50133	1/2 x 1/2 Port		1.58	1 1/16
51123	1/2 x 3/8 Port		1.58	1 1/16
51133	3/8 x 3/8 Port		1.58	1 1/16

Viega PureFlow Crimp Port Sweep Adapter Zero Lead PolyAlloy for ManaBloc Crimp x Port - Model V5039.2


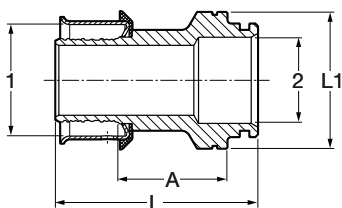
Part No.	Size (in)		L1 (in)		L2 (in)	
	1	2	Dec	Frac	Dec	Frac
50260	1/2 x 1/2 Port		1.97	2	1.42	17/16
50261	3/8 x 1/2 Port		1.96	1 ¹⁵ / ₁₆	1.42	17/16

Viega PureFlow Crimp Port Sweep Adapter Zero Lead PolyAlloy for ManaBloc Polybutylene x Port - Model V5039.2


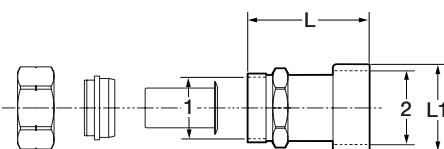
Part No.	Size (in)		L (in)		L1 (in)	
	1	2	Dec	Frac	Dec	Frac
50264	1/2 PB x 1/2 Port		1.99	2	1.42	17/16
50265	3/8 PB x 1/2 Port		1.98	2	1.42	17/16

PureFlow Press Supply Adapter Polymer for ManaBloc P x Supply - Model V5613.2


Part No.	Size (in)		L (in)		L2 (in)	
	1	2	Dec	Frac	Dec	Frac
49414	3/4 x 1 ManaBloc		1.59	19/16	1.45	17/16
49416	1 x 1 ManaBloc		1.75	13/4	1.45	17/16
49418	1 1/4 x 1 ManaBloc		2.42	27/16	1.45	17/16

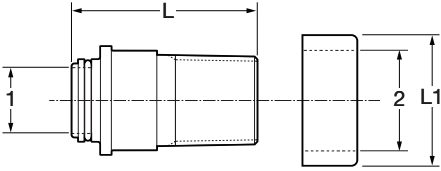
PureFlow Press Supply Adapter Zero Lead Bronze P x ManaBloc Supply - Model 2877.8ZL


Part No.	Size (in)		A (in)		L (in)		L1 (in)	
	1	2	Dec	Frac	Dec	Frac	Dec	Frac
96141	3/4 x 1 ManaBloc		0.87	7/8	1.79	1 ¹³ / ₁₆	1.43	17/16
96161	1 x 1 ManaBloc		0.77	3/4	1.80	1 ¹³ / ₁₆	1.43	17/16

Viega PureFlow ManaBloc Supply Adapter Zero Lead Brass CTS x Supply - Model V5032ZL


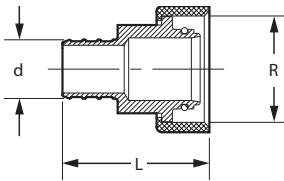
Part No.	Size (in)		L (in)	L1 (in)	
	1	2		Dec	Frac
46346	3/4 CTS x 1 ManaBloc		2.00	1.43	17/16

Viega PureFlow ManaBloc Supply Adapter Zero Lead Brass MPT x Supply - Model V5033ZL



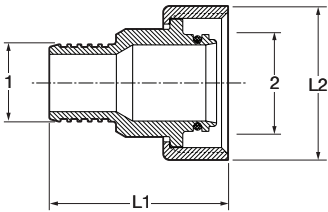
Part No.	Size (in)		L (in)		L1 (in)	
	1	2	Dec	Frac	Dec	Frac
46646	3/4 MPT	1 ManaBloc	2.14	2 1/8	1.43	1 7/16
46656	1 MPT	1 ManaBloc	2.34	2 5/16	1.43	1 7/16

Viega PureFlow Crimp Supply Adapter Zero Lead Brass For ManaBloc Crimp x Supply - Model V5034ZL



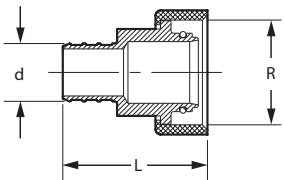
Part No.	Size (in)		L (in)	
	1	2	Dec	Frac
46414	3/4	1 ManaBloc	1.66	1 11/16
46416	1	1 ManaBloc	1.84	1 13/16

Viega PureFlow Supply Adapter Zero Lead Bronze for ManaBloc Polybutylene x Supply - Model V5035ZL



Part No.	Size (in)		L1 (in)		L2 (in)	
	1	2	Dec	Frac	Dec	Frac
50268	3/4 PB	1 ManaBloc	1.66	1 11/16	1.43	1 7/16
50269	1 PB	1 ManaBloc	1.66	1 11/16	1.43	1 7/16

Viega PureFlow Crimp Supply Adapter Zero Lead PolyAlloy for ManaBloc Crimp x Supply - Model V5213



Part No.	Size (in)		L (in)	
	1	2	Dec	Frac
50141	3/4	1 ManaBloc	1.66	1 11/16
50151	1	1 ManaBloc	1.84	1 13/16