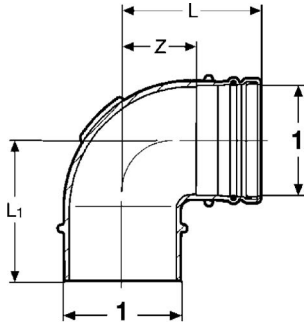


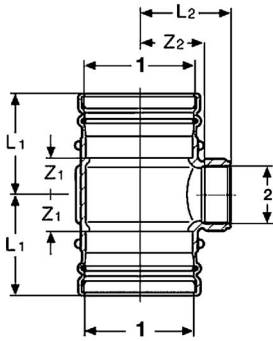
# Dimensional Documentation

**viega**



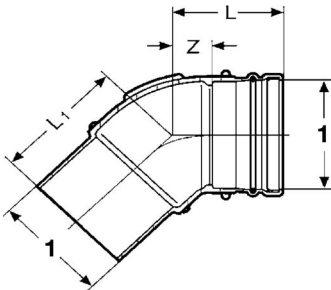
**Elbow 90° FTG x P - Model 2916.1XL**

Stock Code	Size	Z (in)	L (in)	L1 (in)
	<b>1</b>			
91492	2½"	2.638	4.173	4.606
91497	3"	2.992	4.528	4.803
91502	4"	2.780	5.315	5.591



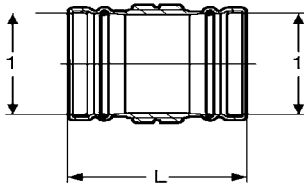
**Tee P x P x F - Model 2917.2XL**

Stock Code	Size	Z1 (in)	Z2 (in)	L1 (in)	L2 (in)
	<b>1    2</b>				
91512	4"x4"x ¾"	1.244	2.654	3.740	3.209
91522	2½" x 2½" x ¾"	1.244	1.906	3.346	2.461
91532	3" x 3" x ¾"	1.252	2.130	3.346	2.756



**Elbow 45° FTG x P - Model 2926.1XL**

Stock Code	Size	Z (in)	L (in)	L1 (in)
	<b>1</b>			
91537	2½"	1.154	3.256	3.819
91542	3"	1.236	3.339	4.094
91547	4"	1.413	3.909	4.921



**Coupling P x P No Stop Model 2915.5XL**

Stock Code	Size	L (in)
	<b>1</b>	
91477	2½"	4.528
91482	3"	4.528
91487	4"	5.315

**Viega... The global leader in plumbing, heating and pipe joining systems**

301 N. Main, 9th Floor • Wichita, KS 67202 • Ph: 800-976-9819 • Fax: 316-425-7618 • [www.viega.com](http://www.viega.com)

©2012, FostaPEX®, GeoFusion®, MegaPress®, ProPress®, Seapress® and Viega® are registered trademarks of Viega GmbH & Co. Climate Mat®, Climate Panel®, Climate Trak®, MANABLOC®, PureFlow®, Radiant Wizard®, S-no-Ice®, Smart Connect®, Snap Panel®, XL® and XL-C® are registered trademarks of Viega LLC. MiniBloc™, PolyAlloy™, ProRadiant™, Rapid Grid™, SmartLoop™ and Zero Lead™ are trademarks of Viega LLC; ProPressG™ and ViegaPEX™ are trademarks of Viega GmbH & Co. KG.