

Submittal Package

viiega

System Data Sheet

System Description

Viiega MegaPress and MegaPressG are safe, reliable, and economical steel pipe installation systems that use modern cold press connection technology for a wide assortment of more than 200 fittings in dimensions ranging from 1/2" to 2".

Pipe: Schedule 5 to schedule 40 Black steel pipe from 1/2" to 2" for Viiega MegaPress. Schedule 40 black pipe for Viiega MegaPressG.

Viiega Smart Connect feature: By means of the Smart Connect feature on Viiega MegaPress Systems fittings, an unpressed connection can be recognized by escaping water, or by a drop in pressure, when testing the system. Fitting connections without the Smart Connect feature may not leak initially; however, later they can unseat during system operations. The Smart Connect feature is designed to protect from the potential risk of unpressed fittings.

Applications

All piping must comply with the ASTM A53, A135, A795 and A106 standards. Viiega MegaPress and MegaPressG fittings are approved for installations in both above and below ground applications. Per code, local inspector approval must be obtained prior to installation below ground.

Approved Applications:

- Hydronic heat
- Chilled water
- Compressed Air
- Non Medical Gases
- Fire Sprinkler
- Low Pressure Steam
- Vacuum
- Natural Gas
- LP Gas
- Fuel Oil

System Benefits

- Fast and Easy to Use
- Flameless
- Permanent Connections
- Wide Capacity from 1/2" to 2"
- Large Selection of Fittings
- Consistent Professional Appearance
- Less Equipment Required
- Environmentally Friendly Connection System
- Versatility of Fittings and Tools for Variety of Applications

Fittings

Viiega MegaPress and MegaPressG fittings are offered in 200+ configurations including: Elbows, Couplings, Reducers, Tees, Reducing Tees, Threaded Adapters and Unions.

Tools

RIDGID offers pressing tools for connecting MegaPress fittings.

- 330-C Corded Tool (1/2" to 2")
- 330-B Battery powered Tool (1/2" to 2")
- 320-E
- RP 340
- CT-400
- 1/2" to 4" fittings are pressed in 4-7 sec.

RIDGID Pressing Tools		
Model	330C	330B
Volts	120v	14.4v Battery
Amps	5.2A	27.2A
Weight (w/out jaw)	9 lbs.	10 lbs.

History

Press technology has been used in Europe since the late 1980s and in the U.S. since the late 1990s for a variety of applications. Backed by two plumbing leaders with over 175 years of combined excellence.

Operating Temperatures:

Viiega MegaPress: 0°F - 250°F
Viiega MegaPressG: -40°F - 180°F

Operating Pressures:

Viiega MegaPress: 200 psi max
Viiega MegaPressG: 125 psi max

Approvals and Certificates

Viiega MegaPress

- UL 213
- FM Class 1920
- IAPMO PS117
- ICC LC1002
- CRN #OA14541.6
- ABS
- GL

Viiega MegaPressG

- CSA LC-4
- IAPMO LC-4
- ICC LC-4
- CRN #OA14541.6
- ABS
- GL

Compliant with

- ICC International Plumbing Code
- ICC International Mechanical Code
- UPC Uniform Plumbing Code
- UMC Uniform Mechanical Code
- International Fuel Gas Code
- NFPA 13,13D, 13R, 31, 54 and 58
- ASME B31

Contact your local Viiega representative for details on local approvals

For more information on RIDGID products contact:

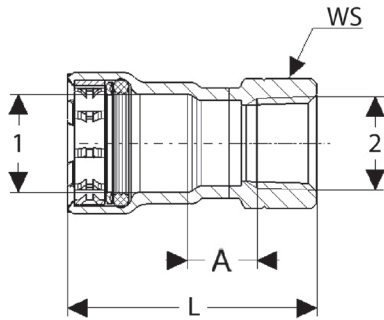
Ridge Tool Company
400 Clark Street, Elyria, Ohio 44036
Demos, Literature: 800-769-7743
Technical inquiries: 800-519-3456
Availability: 888-743-4333
Web: www.ridgid.com

Submittal Package

viega

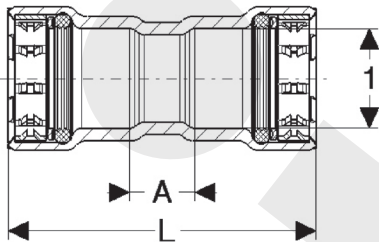


Steel Adapter Reducing P x FPT -- Models 4812 / 6612



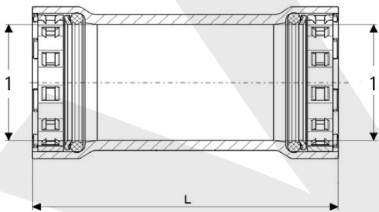
Part No.		Size	A (in)	L (in)	WS (in)
MegaPress	MegaPressG	1 2			
25575	25576	3/4" x 1/2"	5/8	2 3/8	1 1/8
25580	25581	1" x 1/2"	1	2 7/8	1 1/8
25585	25586	1" x 3/4"	3/4	2 5/8	1 1/4
25590	25591	1 1/4" x 1/2"	1 1/8	3 1/2	1 1/8
25595	25596	1 1/4" x 3/4"	1 1/8	3 1/2	1 1/4
25600	25601	1 1/4" x 1"	3/4	3 1/4	1 5/8
25605	25606	1 1/2" x 1/2"	1 1/4	3 3/4	1 1/8
25610	25611	1 1/2" x 3/4"	1 1/4	3 3/4	1 1/4
25615	25616	1 1/2" x 1"	1 1/8	3 5/8	1 5/8
25620	25621	1 1/2" x 1 1/4"	7/8	3 3/8	1 3/4
25625	25626	2" x 1/2"	1 9/16	4 1/16	1 1/8
25630	25631	2" x 3/4"	1 9/16	4 1/16	1 1/4
25635	25636	2" x 1"	1 3/8	4	1 5/8
25640	25641	2" x 1 1/4"	1 1/4	3 15/16	1 3/4
25645	25646	2" x 1 1/2"	3/4	3 3/8	2 1/8

Steel Coupling P x P With Stop - Models 4815 / 6615



Part No.		Size	A (in)	L (in)
MegaPress	MegaPressG	1		
25000	25001	1/2"	9/16	2 3/4
22005	22009	3/4"	5/8	2 15/16
25010	25011	1"	9/16	3 1/4
25015	25016	1 1/4"	1 1/16	4 3/8
25020	25021	1 1/2"	7/8	4 5/8
25025	25026	2"	3/4	4 11/16

Steel Coupling P x P No Stop - Models 4815.5 / 6615.5



Part No.		Size	L (in)
MegaPress	MegaPressG	1	
25030	25031	1/2"	2 11/16
25035	25036	3/4"	2 15/16
25040	25041	1"	3 1/4
25045	25046	1 1/4"	4 5/16
25050	25051	1 1/2"	4 11/16
25055	25056	2"	4 3/4

Submittal Package

viega



Megapress Viega Limited Warranty

Subject to the conditions and limitations in this Limited Warranty, Viega LLC (Viega) warrants to end users, installers, and distribution houses that its Viega MEGAPRESS metal press fittings (Viega Product) with application appropriate sealing element when properly installed shall be free from failure caused by manufacturing defects for a period of ten (10) years from date of installation in Viega MEGAPRESS Approved Applications for fluids/water, oil and lubricant, and gases under Viega specified system operating conditions.

Under this Limited Warranty, you only have a right to a remedy if the failure or leak resulted from a manufacturing defect in the Viega Product and the failure or leak occurs during the warranty period. You do not have a remedy under this warranty and the warranty remedy does not apply if the failure or any resulting damage is caused by (1) components other than those manufactured or sold by Viega, such as black iron pipe; (2) not designing, installing, inspecting, testing, or maintaining the Viega Product in accordance with Viega's installation and product instructions in effect at the time of installation and other specifications and approvals applicable to the installation; (3) use of Viega Product under non recommended system operating conditions, improper handling and protection of the Viega Product prior to, during and after installation, inadequate freeze protection, or exposure to environmental conditions not recommended for the application; or (4) acts of nature, such as, but not limited to, earthquakes, fire, or weather damage. In the event of a leak or other failure of the Viega Product covered by this warranty, it is the responsibility of the end user to take appropriate measures to mitigate any damage, to include making timely repairs. Only if the warranty applies will Viega be responsible for the remedy under this warranty. The part or parts which you claim failed should be kept and Viega contacted by writing to the address below or telephoning 1-877-843-4362 within thirty (30) calendar days after the leak or other failure and identifying yourself as having a warranty claim. You should be prepared to ship, at your expense, the product which you claim failed due to a manufacturing defect, document the date of installation, and the amount of the repair or replacement if performed by you. Within a reasonable time after receiving the product, Viega will investigate the reasons for the failure, which includes the right to inspect the product at a Viega location and reasonable access to the site of damage. Viega will notify you in writing as to the results of its review.

In the event that Viega determines that the failure or leak was the result of a manufacturing defect in the Viega Product covered by this warranty and this warranty applies, the **EXCLUSIVE AND ONLY REMEDY** under this warranty shall be the reimbursement for reasonable charges for repair or replacement of the Viega Product itself. **VIEGA SHALL NOT BE LIABLE FOR ANY CONSEQUENTIAL OR OTHER DAMAGE (FOR EXAMPLE, ECONOMIC LOSS, WATER OR PROPERTY OR MOLD REMEDIATION) UNDER ANY LEGAL THEORY AND WHETHER ASSERTED BY DIRECT ACTION, FOR CONTRIBUTION OR INDEMNITY OR OTHERWISE.**

THE ABOVE WARRANTY IS IN LIEU OF ALL OTHER WARRANTIES, EXPRESS OR IMPLIED, INCLUDING, BUT NOT LIMITED TO, THE IMPLIED WARRANTIES OF MERCHANTABILITY AND FITNESS FOR A PARTICULAR PURPOSE OR ANY STATUTE OF LIMITATIONS RELATING TO SUCH WARRANTIES. Other than this Limited Warranty, Viega does not authorize any person or firm to create for it any other obligation or liability in connection with its products.

This Limited Warranty gives you specific legal rights and you also may have other rights which may vary from state to state. This warranty shall be interpreted and applied under the law of the state in which the product is installed and is intended as a **COMMERCIAL WARRANTY**.

MEGAPRESS WARRANTY, 9/2011

This document subject to updates. For the most current Viega technical literature please visit www.viega.us.
Click Services -> Click Electronic Literature Downloads -> Select Product Line -> Select Desired Document

Viega LLC, 301 N. Main, 9th Floor • Wichita, KS 67202 • Ph: 800-976-9819 • Fax: 316-425-7618