

M1000ML5AC5M

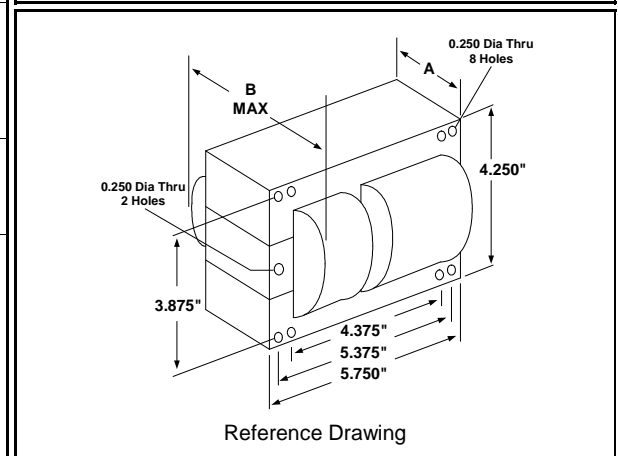
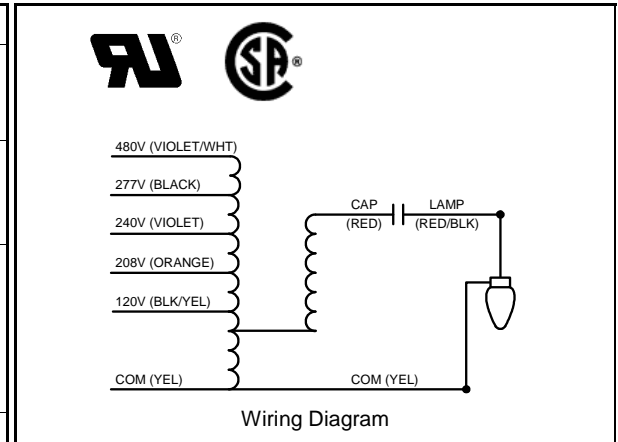
1000W M47 / H36

Metal Halide

60Hz CWA

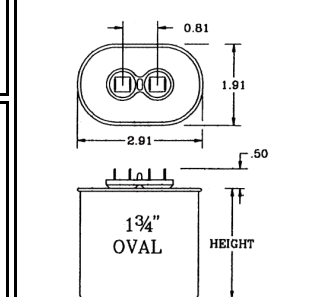
Specification Sheet

Input Volts	120	208	240	277	480
Regulation					
Line Volts	±10%	±10%	±10%	±10%	±10%
Lamp Watts	±10%	±10%	±10%	±10%	±10%
Power Factor (min)	90%	90%	90%	90%	90%
Input Watts	1080 W	1080 W	1080 W	1080 W	1080 W
NOM. Open Circuit Voltage	420 V	420 V	420 V	420 V	420 V
Line Current (Amps)					
Operating	9.15	5.25	4.55	3.95	2.30
Open Circuit	6.60	3.80	3.30	2.85	1.65
Starting	5.45	3.15	2.70	2.35	1.35
Recommended Fuse (Amps)	20	15	10	10	6
Lamp Dropout Voltage (Line)	75 V	135 V	155 V	180 V	310 V
UL Temperature Ratings					
Insulation Class	H (180°C)	H (180°C)	H (180°C)	H (180°C)	H (180°C)
Temperature Code	F	E	E	E	E
MIN. Starting Temperature	-22°F -30°C	-22°F -30°C	-22°F -30°C	-22°F -30°C	-22°F -30°C
CAPACITOR Specifications					
Microfarads	24.0 uf	24.0 uf	24.0 uf	24.0 uf	24.0 uf
Volts (min.)	480 V	480 V	480 V	480 V	480 V
60Hz Test Procedures					
High Potential Test 1 Minute	2000 V	2000 V	2000 V	2000 V	2000 V
High Potential Test 1 Second	2500 V	2500 V	2500 V	2500 V	2500 V
Secondary Open Ckt Voltage (V)	375 - 460	375 - 460	375 - 460	375 - 460	375 - 460
Secondary Current Shorted (A)	4.90 - 6.00	4.90 - 6.00	4.90 - 6.00	4.90 - 6.00	4.90 - 6.00
Input Operating Current (A)	8.25 - 10.15	4.50 - 5.60	4.15 - 5.10	3.60 - 4.45	2.05 - 2.55
Input Open Circuit Current (A)	3.30 - 9.60	1.90 - 5.55	1.65 - 4.80	1.40 - 4.20	0.80 - 2.40
Input Short Circuit Current (A)	4.10 - 6.20	2.50 - 3.85	2.00 - 3.05	1.80 - 2.75	1.00 - 1.60
Core and Coil Specifications					
Dimension A	2.90 in	2.90 in	2.90 in	2.90 in	2.90 in
Dimension B	5.05 in	5.05 in	5.05 in	5.05 in	5.05 in
Weight	22.0 lbs	22.0 lbs	22.0 lbs	22.0 lbs	22.0 lbs
Lead Lengths (inches)	12-14	12-14	12-14	12-14	12-14
Coil Material (Pri. / Sec.):	Cu/Al/Cu	Cu/Al/Cu	Cu/Al/Cu	Cu/Al/Cu	Cu/Al/Cu



Capacitor: 005-2779-MF **Ignitor: None**

Rated Temp 90 °C
 Height: 3.90 in
 Width / Diameter: 2.91 in



This Ballast does not require a Ignitor

For alternate capacitor construction consult sales

Document #:	010-11037-02
Date:	2/20/2006
Status:	Production
Replaces Catalog #:	M1000ML5AC5M

Data is based upon tests performed by Universal Lighting Technologies in a controlled environment and is representative of relative performance. Actual performance may vary depending on operating conditions. Specifications are subject to change without notice.

Universal Lighting Technologies

26 Century Blvd. Suite 500 - Nashville, TN 37214

Phone 1-800-225-5278 Fax 1-800-206-0035

www.universalballast.com