

Specification Sheet

Catalog Number: M150MLTLC3M

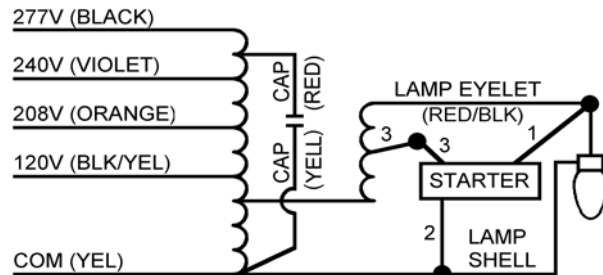
150W METAL HALIDE

Document #: 010-9705-03

Date: 12/06/2004

Lamp Type	150W MH
ANSI Designation	M102 or M142
Line Voltage	120/208/240/277
Regulation	5%
Frequency	60 HZ
Recommended Fuse	10/5/5/4
Circuit Type	HX-HPF
Insulation Class	180° C
Capacitor Value	16 MF
Capacitor Volt Rating	300 VOLTS
Capacitor Temp Rating	90° C
Capacitor Part Number	005-1498-MF
Lamp Starter	MH100-3A
Winding Material (Pri/Sec)	Cu/Cu

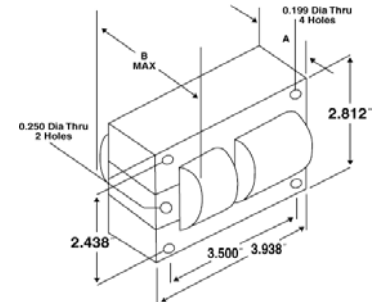
Replaces Catalog #	11310-543
Samples Available	Yes
Production Available	Yes
Agency Certification	UL & CSA
Maximum Distance to Lamp	10 FT



FEATURES: Utilizes Precise-Wound Coils

Electrical Characteristics

Line Volt	Power Factor	Line Current in Amps			Input Watts	Open Circuit Volts	Drop Out Volts	Min. Start Temp.	UL Temp. Code
		Oprtn	Open	Start					
120	High	1.57	3.32	1.70	185	245	75	-30°C	D
208	High	0.91	1.93	1.00	185	245	125	-30°C	D
240	High	0.81	1.66	0.80	185	245	150	-30°C	D
277	High	0.74	1.48	0.77	185	245	160	-30°C	D



Reference Drawing

Test Limits

Line Volt	Power Factor	Line Current, Amps						Open Circuit Voltage (V)		Short Circuit Current (A)	
		Operating		Open		Short		Min.	Max.	Min.	Max.
120	High	1.43	1.74	1.66	4.75	0.85	1.25	230	265	1.90	2.40
208	High	0.83	1.01	0.97	2.76	0.50	0.72	230	265	1.90	2.40
240	High	0.74	0.90	0.83	2.37	0.42	0.62	230	265	1.90	2.40
277	High	0.67	0.82	0.74	2.12	0.40	0.60	230	265	1.90	2.40

Physical Characteristics

Overall Dimensions, Inches				Mounting Holes (In.)			Bracket Mntng Dim		Capacitor Dim.		Ballast Net Weight	Lead Length Inches
Length	Height	Stack	Over Coils	Diam	Length	Width	Length	Width	Dia.	Length		
3.94	2.81	2.38	3.88	0.25	3.50	2.44	-	-	1.56	2.69	7.25	12-14

For samples, contact your Universal Lighting Technologies Representative.

Application and Performance Specification Information Subject to Change without Notification.