

# 1233-10W

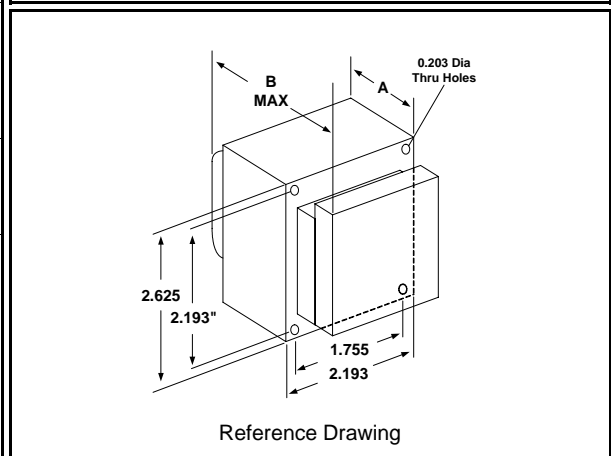
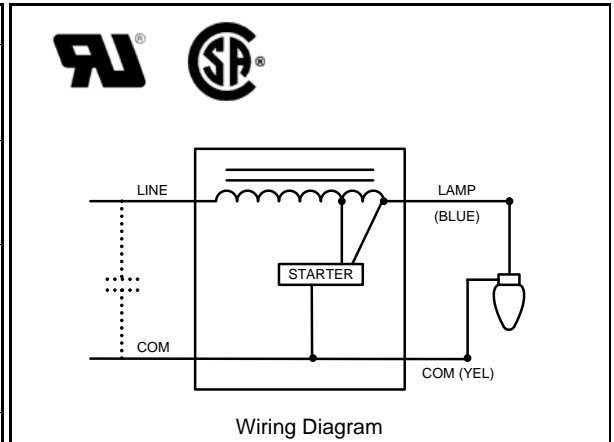
100W S54

High Pressure Sodium

60Hz Reactor

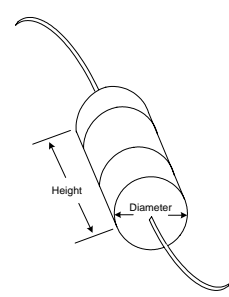
## Specification Sheet

<b>Input Volts</b>	120	120			
<b>Regulation</b>					
Line Volts	±5%	±5%			
Lamp Watts	±10%	±10%			
Power Factor (min)	90%	-			
Input Watts	114 W	114 W			
NOM. Open Circuit Voltage	120 V	120 V			
<b>Line Current (Amps)</b>					
Operating	1.00	2.10			
Open Circuit	1.80	-			
Starting	1.50	2.90			
Recommended Fuse (Amps)	5	8			
Lamp Dropout Voltage (Line)	90 V	90 V			
<b>UL Temperature Ratings</b>					
Insulation Class	H (180°C)	H (180°C)			
Temperature Code	A	A			
MIN. Starting Temperature	-40°F -40°C	-40°F -40°C			
<b>CAPACITOR Specifications</b>					
Microfarads	40 uf	-			
Volts (min.)	120 V	-			
<b>60Hz Test Procedures</b>					
High Potential Test 1 Minute	2000 V	2000 V			
High Potential Test 1 Second	2500 V	2500 V			
Secondary Open Ckt Voltage (V)	108 - 132	108 - 132			
Secondary Current Shorted (A)	2.60 - 3.25	2.60 - 3.25			
Input Operating Current (A)	0.90 - 1.10	1.85 - 2.55			
Input Open Circuit Current (A)	1.50 - 2.10	- - -			
Input Short Circuit Current (A)	0.85 - 1.90	2.60 - 3.25			
<b>Core and Coil Specifications</b>					
Dimension A	1.50 in	1.50 in			
Dimension B	2.90 in	2.90 in			
Weight	2.75 lbs	2.75 lbs			
Lead Lengths (inches)	12-14	12-14			
Coil Material (Pri. / Sec.):	Cu	Cu			



**Capacitor: 005-1887-RMF**      **Ignitor: Internal**

Max Case Temp: 100 °C  
 Height: 2.78 in      BTL: 3 ft  
 Width / Diameter: 1.87 in



Ignitor is an integral part of the ballast assembly

Oil Cap. - P/N R17058505 Consult Catalog for Specs.

Document #:	010-12701-01
Date:	11/17/2008
Status:	Production
Replaces Catalog #:	New Design

Data is based upon tests performed by Universal Lighting Technologies in a controlled environment and is representative of relative performance. Actual performance may vary depending on operating conditions. Specifications are subject to change without notice.