



# 77 & 77-1 Series

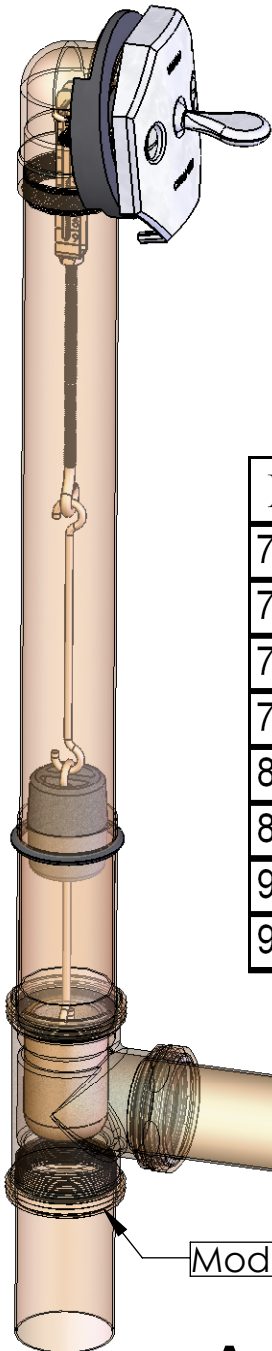
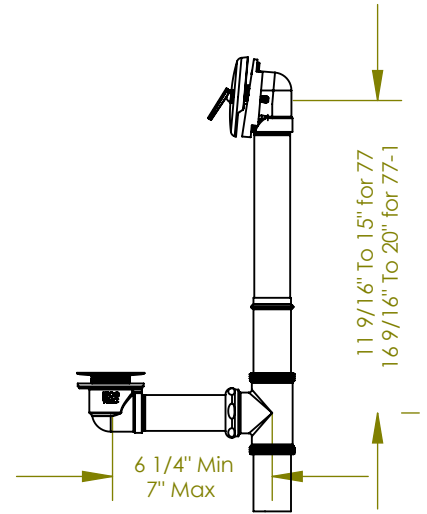
## Trip Lever Bath & Whirlpool Drain

Overflow Tube Adjusts to Fit all Standard Tubs & Whirlpools.

Move Lever Located at Face plate up to close or down to open drain.

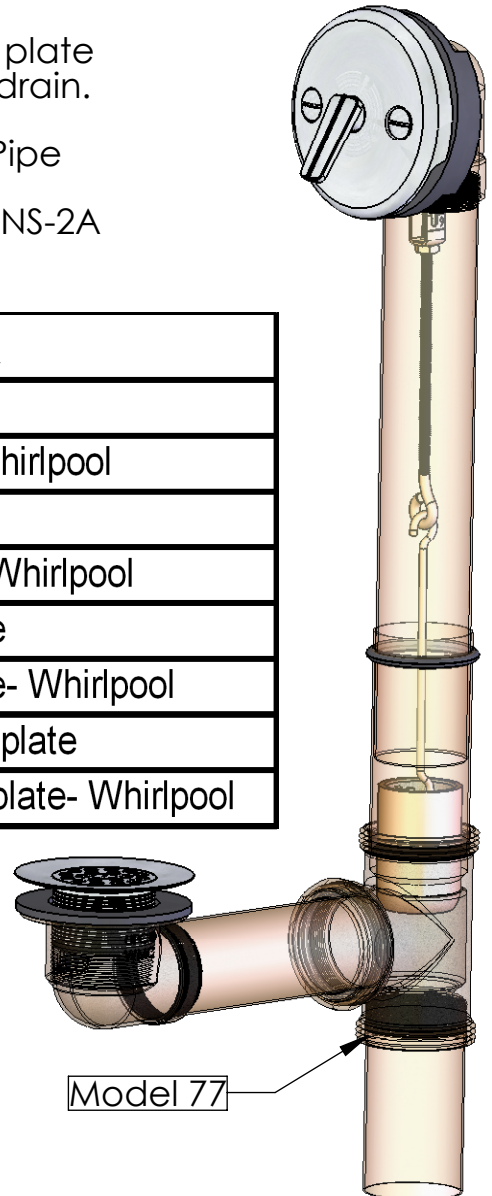
1 - 1/2" Twenty Gauge Brass Pipe

Shoe Thread Size = 1-5/8" - 16 NS-2A



Model 77-1-8

Model	Description
77	Chrome; Round Faceplate
77-1	Chrome; Round Faceplate- Whirlpool
77-8	Chrome; Octagon Face plate
77-1-8	Chrome; Octagon Faceplate- Whirlpool
877	Bright Brass; Round Faceplate
877-1	Bright Brass; Round Faceplate- Whirlpool
977-8	Antique Brass; Octagon Face plate
977-1-8	Antique Brass; Octagon Faceplate- Whirlpool



Model 77

**American Craftsmanship Since 1892**

When Ordering Specify Complete Model Number