

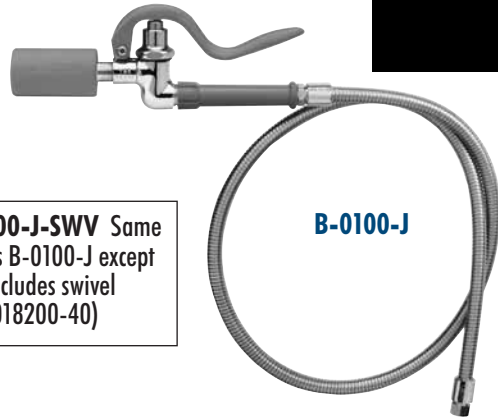


B-0100-J
Low Flow Pre-Rinse Spray Unit

Uses
B-0107-J
NEW Spray
Valve
1.07 GPM

NEW! B-0100-J Low flow pre-rinse spray valve unit (1.07 GPM)

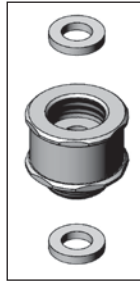
- EPAAct 2005 compliant
- AB1953 and ANSI/NSF Standard 61 Compliant
- Consumes 60% less water than other EPAAct 2005 compliant valves (at 1.6 GPM)
- Powerful cleaning capability makes pre-rinse tasks easier
- Tough baked-on foods come off faster
- Designed for heavy-duty use in industrial kitchens
- Automatic shut-off valve with low flow spray head
- 3 ft. flexible stainless steel hose (B-0044-H); 48" (1219 mm) overall length
- 1/2" NPT male inlet (See "Adapter Chart" p. A33 for other adapters)
- Fan jet with knife action spray
- Includes hold-down ring (not shown)



B-100-J-SWV Same as B-0100-J except includes swivel (018200-40)

018200-40
Swivel For Pre-Rinse Spray Valves

- Includes: (1) 7/8-20 UN female and male swivel (2) replacement seals
- Allows a greater range of rotation and motion while using spray valves
- Retrofit between hose handle and spray body
- Makes spray valve assemblies more ergonomic
- Available for any T&S pre-rinse spray valve
- For B-0108 spray valve – attach swivel directly to spray valve



NEW
Swivel for
Pre-Rinse
Spray Valves



Repair and Installation Kits

Note: Some individual items listed in parts kits may be ordered separately. Contact factory Customer Service representatives for availability.

B-9K
Lever Handle Kit

- Lever handle kit includes:
 - 1 (001661-45) Index button red (hot)
 - 1 (001660-45) Index button blue (cold)
 - 2 (000922-45) Lever handle screw
 - 2 (001638-45) Lever handle blank



B-10K-J
B-0107-J Repair Kit

- Parts included for the B-0107-J Spray Valve:
 - 2 (000895-45) Spring
 - 2 (000974-45) Bonnet washer brass
 - 2 (010476-45) #27 hose washer
 - 2 (001040-45) Bonnet binding washer
 - 2 (018292-45) Grey shield

B-0107-J
NEW Spray
Valve
1.07 GPM

- 2 (001100-45) Packing Seal
- 2 (009306-20) Valve Stem
- 2 (012915-45) Seat Washer

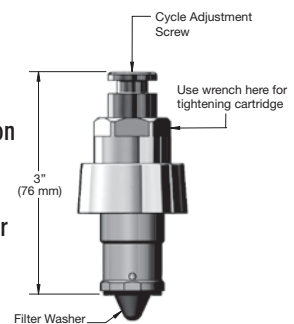
B-010K-C
Low Flow Spray Valve Repair Kit

- Repairs B-0107-C low-flow spray valves, and includes:

2 (000895-45) Spring	2 (002659-45) Shield
2 (000974-45) Bonnet washer	2 (001100-45) Packing seal
2 (010476-45) Washer for S/S hose	1 (009306-20) Valve stem
	2 (012915-45) Seat washer

B-238RK
238A Metering Cartridge Repair Kit

- Parts included (for Push Button, Wrist Action and Pivot Action):
 - 1 (010150-45) Top washer
 - 1 (017182-45) Bottom seal filter washer
 - 1 (009391-45) 'O'-ring
 - 1 (012596-45) Bottom stem seal



Parts and Repair Kits

Note: some individual items listed in parts kits may be ordered separately. Contact our customer service representatives for availability.

B-5K B-0230 Faucet Repair Kit

- Parts include:
 - 1 (015294-40) Right hand spindle
 - 1 (015295-40) Left hand spindle
 - 6 (000761-20) Removable seats
 - 4 (000933-45) Seat screws
 - 12 (000976-45) Washers
 - 12 (009635-45) Bonnet washers
 - 12 (002726-45) Washers
 - 22 (009649-45) Seat washers
 - 1 (010197-25) Big-Flo Bonnet Asy. includes:
 - 24 (001075-45) 'O'-rings
 - 12 (009752-45) Washers
 - 12 (009750-25) Dome packings



Note: used on B-0230 spindles prior to barrel type assemblies

B-7K Master Parts Kit for Eterna Spindles

- Parts include:
 - 12 (000788-20) Right hand Eterna inserts
 - 6 (000789-20) Left hand Eterna inserts
 - 12 (000811-25) Right hand spindle inserts
 - 6 (000812-25) Left hand spindle inserts
 - 6 (000718-25) Packing nuts
 - 12 (000922-45) Lever handle screws
 - 32 (000933-45) Seat washer screws
 - 25 (002601-45) Top gaskets
 - 32 (001092-45) Seat washers
 - 25 (001022-45) Bottom gaskets
 - 50 (001098-45) Packings
 - 25 (001074-45) Swing nozzle 'O'-rings



B-11K Eterna Cartridge Spindle Kit

- Parts include:
 - 1 (000811-25) Right hand spindle insert
 - 1 (000812-25) Left hand spindle insert
 - 2 (000933-45) Seat washer screws
 - 2 (009841-45) Seat washers



B-13K Spring Check Spindle Assembly Kit

- Parts included:
 - 1 (001907-25) Right hand spindle insert
 - 1 (001908-25) Left hand spindle insert
 - 2 (003164-45) Seat washer – spring check
 - 2 (001479-45) Spring check spring



B-6K Eterna Spindle Parts Kit

- Parts include:
 - 1 (000788-20) Right hand Eterna insert
 - 1 (000789-20) Left hand Eterna insert
 - 1 (000811-25) Right hand spindle insert
 - 1 (000812-25) Left hand spindle insert
 - 4 (000933-45) Seat washer screws
 - 10 (001022-45) Gaskets
 - 12 (002601-45) Gaskets
 - 22 (001092-45) Seat washers



B-9K Lever Handle Kit

- Parts include:
 - 1 (001637-45) Lever handle hot
 - 1 (001636-45) Lever handle cold
 - 1 (001661-45) Index button, red, cold
 - 1 (001660-45) Index button, blue, cold
 - 2 (000922-45) Lever handle screws



B-12K B-1100 Spindle Parts Kit

- Parts include:
 - 1 (000800-25) Right hand spindle
 - 1 (000801-25) Left hand spindle
 - 2 (000933-45) Screws
 - 2 (009841-45) Seat washers



B-17K Old Style B-0230 Spindle Kit

- Parts include:
 - 1 (009194-25) Right hand spindle
 - 1 (009195-25) Left hand spindle
 - 2 (000933-45) Screws
 - 2 (009649-45) Seat washers



Parts Kits For Plumbing

B-6K
Eterna Spindle Parts Kit

- Parts included:
- 1 000788-20 Right hand Eterna insert
- 1 000789-20 Left hand Eterna insert
- 1 000811-25 Right hand spindle insert
- 1 000812-25 Left hand spindle insert
- 4 000933-45 Seat washer screws
- 10 001022-45 Gaskets
- 12 002601-45 Gaskets
- 22 001092-45 Seat washers



B-9K
Lever Handle Kit

- Parts included:
- 2 001638-45 Lever handle – blank
- 1 001661-45 Index button, red – hot
- 1 001660-45 Index button, blue – cold
- 2 000922-45 Lever handle screw



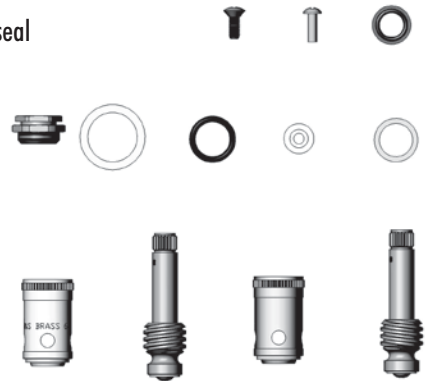
B-11K
Eterna Cartridge Spindle Kit

- Parts included:
- 1 000811-25 Right hand spindle insert
- 1 000812-25 Left hand spindle insert
- 2 000933-45 Seat washer screw
- 2 009841-45 Seat washer



B-15K
EasyInstall Concealed Widespread Faucet Parts Kit

- Parts included:
- 12 000922-45 Lever handle screw
- 32 000933-45 Screw
- 50 001098-45 Eterna spindle packing seal
- 6 009002-25 Packing nut/lock nut
- 25 002601-45 Gasket
- 25 001074-45 'O'-Ring
- 32 001136-45 Teflon seat washer
- 25 001022-45 Bottom gasket
- 6 000789-20 Left hand removable insert assembly
- 6 000812-25CWS Left hand spindle assembly
- 12 000788-20 Right hand removable insert assembly
- 12 000811-25CWS Right hand spindle assembly



B-13K
Spring Check Spindle Kit

- Parts included:
- 1 001907-25 Right hand spindle insert
- 1 001908-25 Left hand spindle insert
- 2 003164-45 Seat washer – spring check
- 2 001479-45 Spring check spring



B-2730-DRK
Diverter Kit for B-2730

- Parts included:
- 1 Diverter valve stem
- 1 Diverter valve seal
- 2 Diverter valve 'O'-Rings
- 1 Diverter valve body
- 1 Diverter valve stem seal

