

# Standard B-0107 Spray Valve Pre-Rinse Units

## With Overhead Swivel Arm

Pre-rinse units with the redesigned B-0107 spray valve (1.42 GPM) comply with EPA Act 2005.

- Most pre-rinse units are equipped with internal spring checks to prevent cross flow.
- Hot Spindle Assembly – 002712-40
- Cold Spindle Assembly – 002711-40

A  
20

### B-0141 Pre-Rinse Unit

- Remote control valve (B-0512)
- 35-5/8" (906 mm) high
- 3-3/8" (86mm) to bottom of tailpiece
- 1/2" NPSM male shank
- 12" (305 mm) swivel arm
- 32" (889 mm) riser (000376-40)
- B-0107 spray valve (1.42 GPM)
- B-0020-H flexible stainless steel hose

Note: This unit requires separate check valves.

#### Check Valves for B-0141

B-CVH1-2 for horizontal or vertical use, 1/2" NPT female  
 B-CVH3-4 for horizontal or vertical use, 3/4" NPT female  
 Furnished in rough brass



### B-0171 Pre-Rinse Unit

- Single hole base faucet with 4" (102 mm) spreader unit
- 37-7/8" (962 mm) high
- 8-3/8" (213 mm) clearance
- Volume controls with screwdriver slots on spreader
- 12" (305 mm) swivel arm
- 32" (823 mm) riser (000376-40)
- B-0107 spray valve (1.42 GPM)
- B-0020-H flexible stainless steel hose

B-0171-01 same as B-0171 except with B-0119 bi-pod support rods wall bracket



### Pre-Rinse Accessories

See complete line of pre-rinse accessories on pages A34-A41

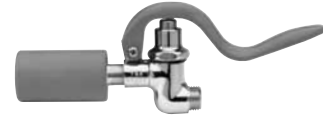


**B-0107**  
Spray Valve

1.42 GPM

**B-0107-C**  
Spray Valve

0.65 GPM



**B-0107-J**  
Spray Valve

1.07 GPM



**B-0107-035**  
Spray Valve

1.42 GPM

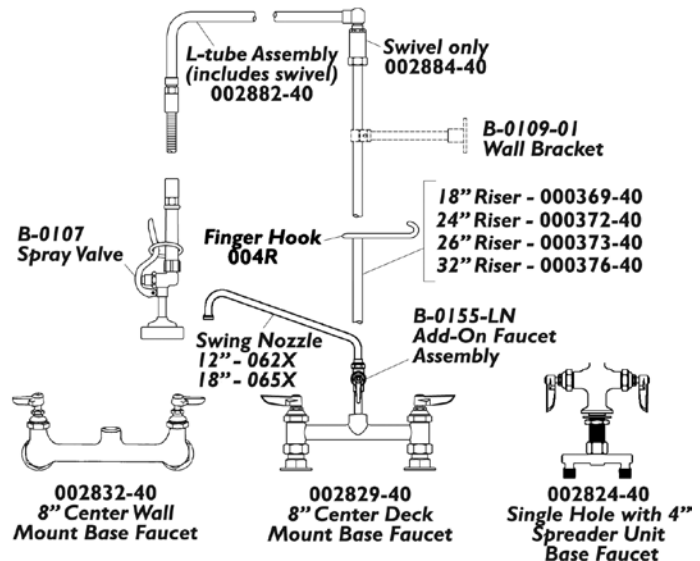
**B-0156**  
Add-On Faucet

with 12" swing nozzle



Various length swing nozzles available on page A37

### Overhead Swivel Arm Exploded View



## B-0156 Add-On Faucet for Pre-Rinse Units

- Adds swinging nozzle to pre-rinse units
- 12" (152 mm) nozzle (062X)
- Includes 3" nipple for installation on existing base faucets (000358-40)



Note: The B-0156 increases the height of a pre-rinse unit by approximately 4-1/2" (114 mm). Different length nozzle furnished upon request – single or double-jointed.

### All Add-On Faucets:

- |   |   |
|---|---|
| <b>B-0155</b> Same as B-0156 except with 6" (305 mm) nozzle (059X)      | <b>B-0156-M</b> Add-on faucet Master Box (6)  |
| <b>B-0155-CR-LN</b> With cerama cartridge less nozzle                   | <b>B-0156-VF22</b> Add-on faucet with 12" (305 mm) nozzle (062X) and vandal-resistant aerator (2.2 GPM) |
| <b>B-0155-M</b> Add-on faucet Master Box (6)                            | <b>B-0156-05</b> Same as B-0156 except with 5" (127 mm) nipple  |
| <b>B-0155-LN</b> Add-on faucet less nozzle                              | <b>B-0157</b> Same as B-0155 except with 18" (457 mm) nozzle (065X)                                     |
| <b>B-0155-LNM</b> Add-on faucet less nozzle, Master Box (6)             | <b>B-0157-CR</b> Same as B-0157 and with cerama cartridge   |
| <b>B-0155-05</b> Same as B-0155 except with 5" (127 mm) nipple          | <b>B-0157-M</b> Add-on faucet Master Box (6)  |
| <b>B-0155-05LN</b> B-0155-05 add-on faucet less nozzle                  | <b>B-0157-05</b> Same as B-0157 except with 5" (127 mm) nipple  |
| <b>B-0155-064X</b> Same as B-0155 except with 16" (406 mm) swing nozzle | <b>B-0158</b> Add-on faucet with 14" (356 mm) nozzle (063X)   |
| <b>B-0156</b> Add-on faucet with 12" (305 mm) swing nozzle (062X)       | <b>B-0158-CR</b> Add-on faucet with 14" (356 mm) nozzle (063X) and cerama cartridge                     |
| <b>B-0156-CR</b> Same as B-0156 and with cerama cartridge               |   |
| <b>B-0156-EZ</b> Add-on faucet with EasyInstall fitting                 |   |

## B-0155-LNEZ Add-On Faucet for EasyInstall Pre-Rinse Units

- EasyInstall pre-rinse add-on faucet with "pop-and-lock" riser installation feature
- Attaches to EasyInstall faucets only



## B-0165-C35-68H Washdown Hose Unit for Pre-Rinse Units

- Includes add-on faucet with quarter-turn cartridge and four-arm handle
- Add-on faucet diverts flow to swing nozzle; not a full shut-off
- B-0068-H stainless steel hose connects to swivel adapter
- B-0107-C35 angle spray valve (0.65 GPM)
- B-0166 hanger hook with chrome plated screws
- 3/8" NPT male threads fits standard T&S rigid base faucets



## Pre-Rinse Spray Valves

The B-0107 Spray Valve (1.42 GPM) complies with EPAAct 2005.

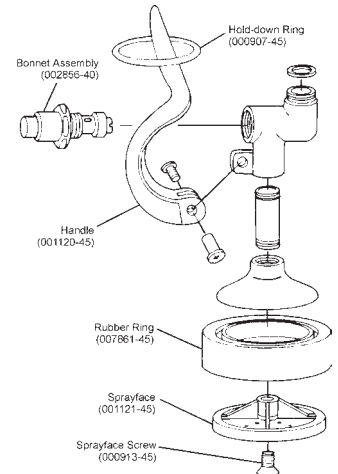
## B-0107 Pre-Rinse Spray Valve

Redesigned with 1.42 GPM – EPAAct 2005 compliant

- Connects directly to T&S flexible stainless steel hose or handle assembly
- Designed for heavy use in commercial kitchens
- Shuts off when handle is released



## B-0107 Exploded View Spray Valve



**B-0107-A** Same as B-0107 but with non-splash aerator instead of spray face

**B-0107-B** Same as B-0107 but with rosespray instead of spray face

**B-0107-M** Pre-rinse spray Master Box (12)

**B-0107-QD** Spray valve with handle, hold-down ring and stainless steel quick-disconnect

**Pre-Rinse Units using the NEW B-0107-C Ultimate Low Flow Spray Valve (0.65 GPM) and the B-0108-C JetSpray Valve (0.65 GPM) comply with EPAct 2005.**

## B-0107-C Ultimate Low Flow Spray Valve

**NEW! B-0107-C Ultimate low flow spray valve (0.65 GPM)**

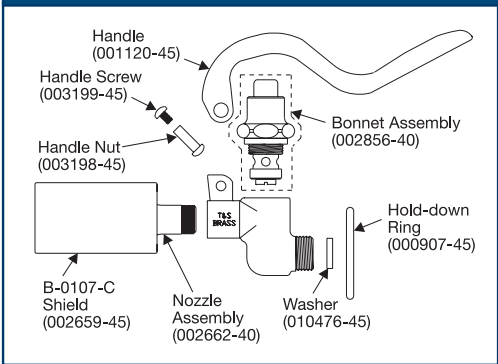
- EPAct 2005 compliant
- High performance fan jet with knife action spray
- Can be used with any T&S pre-rinse assembly instead of B-0107 spray valve
- Significantly saves water and energy

**B-0107-CM** Low flow spray valve  
Master Box (12)

**B-0107-C  
New and  
Improved  
0.65 GPM**



## B-0107-C Exploded Spray Valve

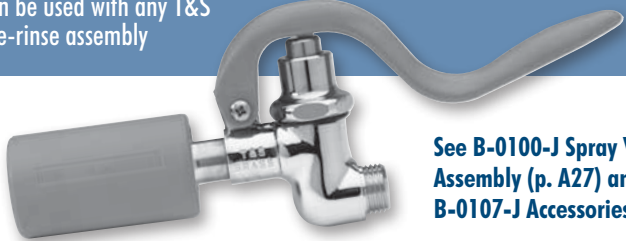


## B-0107-J Low Flow Spray Valve

**NEW!  
B-0107-J  
1.07 GPM**

**NEW! B-0107-J low flow spray valve (1.07 GPM)**

- EPAct 2005 compliant
- AB1953 and ANSI/NSF Standard 61 Compliant
- Consumes 60% less water than other EPAct 2005 compliant valves (at 1.6 GPM)
- Powerful cleaning capability makes pre-rinse tasks easier
- Tough baked-on foods come off faster
- Can be used with any T&S pre-rinse assembly



See B-0100-J Spray Valve Assembly (p. A27) and B-0107-J Accessories (p. A41)

**Pre-Rinse Units using the B-0107-C Low Flow Spray Valve (0.65 GPM) or the B-0108-C Low Flow JetSpray Valve (0.65 GPM) can save you up to 100,000+ gallons of water a year!**

## Water and Energy Conservation Comparison Chart Federal Limit vs. B-0107 and B-0107-C Spray Valves

**B-0107-C  
New and  
Improved  
0.65 GPM**

### Water Conservation

#### Assumptions:

1. Any pre-rinse unit used: 300 minutes (5 hours)/day x 360 days = **108,000 min/year**
2. Water supplied at 60 PSI: B-0107 flows 1.42 GPM, 140°F  
B-0107-C flows 0.65 GPM, 140°F, **saving 0.77 GPM**

The Federal Limit on spray valves is 1.60 GPM at 60 PSI

Compared to the Federal Limit GPM, using the **B-0107-C saves 0.95 GPM**

#### Water savings per year using the B-0107-C:

**108,000 min/year x 0.95 GPM = 102,600 gal/year SAVED**

### Energy Conservation

#### Assumptions:

1. Inlet at 65°F, outlet at 140°F

#### Energy Savings per year (using B-0107-C vs. Federal Limit):

- Electric Water Heater** (90% efficiency): **9,921 KWH/year**
- Natural Gas Water Heater** (80% efficiency): **379 Therms/year**
- Fuel Oil Water Heater** (80% efficiency): **460 gal oil/year**

### Total Cost Savings Per Year – Using B-0107-C vs. Federal Limit

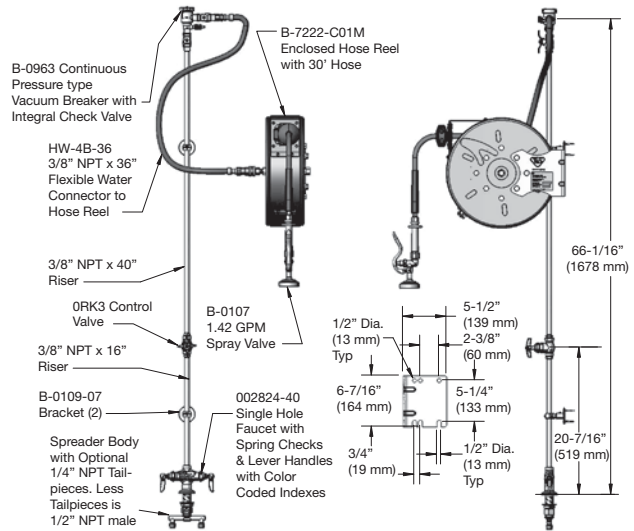
- Electric Water Heater:** (at 0.16 dollars/KWH) – **\$1587/year**
- Natural Gas Water Heater:** (at .78 dollars/Therm) – **\$295/year**
- Fuel Oil Water Heater:** (at 2.35 dollars/gal oil) – **\$1081/year**

## Complete Hose Reel Assemblies

### B-1457 Enclosed 30' Epoxy Coated Hose Reel Assembly



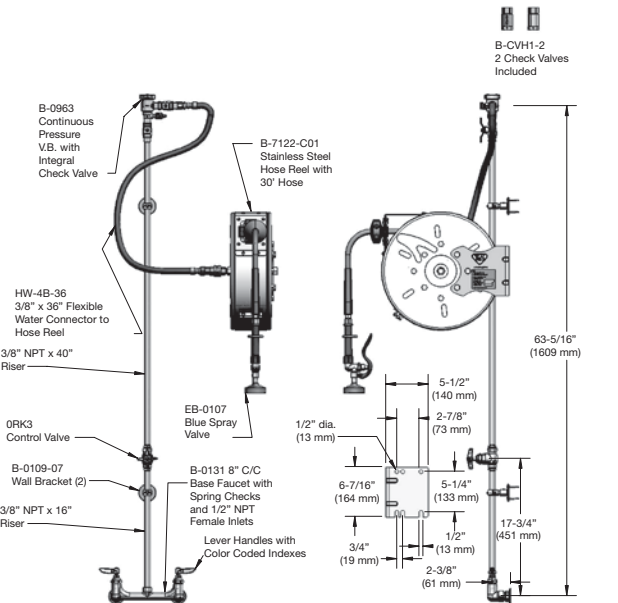
- All-in-one system with exposed piping and accessories
- Enclosed epoxy coated hose reel – B-7222-C01 with 30' hose
- B-0107 spray valve
- B-0963 continuous pressure vacuum breaker
- (002824-40) Single hole deck-mount faucet with spring checks and lever handles with color coded indexes
- Spreader body with optional 1/4" NPT tailpieces
- Shut-off control valve in riser (ORK3)
- Two (2) B-0109-07 wall brackets
- 3/8" NPT flexible water connector to hose reel (HW-4B-36)
- Shipped with all components needed for installation



### B-1458 Enclosed 30' Stainless Steel Hose Reel Assembly



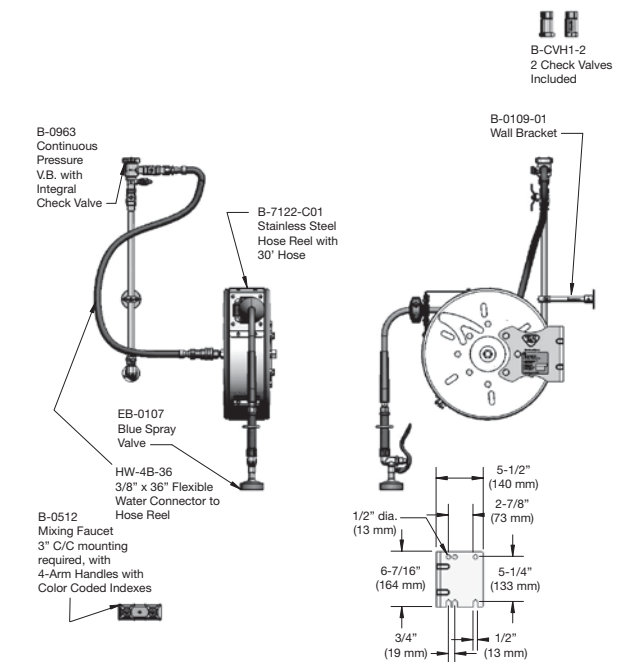
- All-in-one system with exposed piping and accessories
- Enclosed stainless steel hose reel – B-7122-C01 with 30' hose
- EB-0107 blue spray valve
- B-0963 continuous pressure vacuum breaker
- B-0131 8" wall-mount faucet with spring checks
- Shut-off control valve in riser (ORK3)
- Two (2) B-0109-07 wall brackets
- Flexible water connector to hose reel (HW-4B-36)
- Two (2) check valves (B-CVH1-2)
- Shipped with all components needed for installation



### B-1459 Enclosed 30' Stainless Steel Hose Reel Assembly



- All-in-one system with exposed piping and accessories
- Enclosed stainless steel hose reel – B-7122-C01 with 30' hose
- EB-0107 blue spray valve
- B-0963 continuous pressure vacuum breaker with integral check valve
- B-0512 wall mount mixing valve, 3" C/C
- B-0109-01 wall bracket
- Flexible water connector to hose reel (HW-4B-36)
- Two (2) check valves (B-CVH1-2)
- Shipped with all components needed for installation



## Heavy-Duty Water Guns

E  
18

T&S heavy-duty water guns are designed for use on hose reels, washdown stations and general sanitizing operations in a broad variety of commercial and institutional applications.

### MV-2516 Series Rear Trigger Water Guns

- Heavy-duty stainless steel construction, designed for long life
- Adjustable stream from solid to soft spray
- Excellent for cleaning jobs
- Controls water supply easily and efficiently
- Automatic shut-off conserves water
- Rated up to 200 psi
- Blue rubber cover
- Various models available; see chart on p. E32



### MV-2522 Series Front Trigger Water Guns

- Heavy-duty stainless steel construction, designed for long life
- Adjustable stream from solid to soft spray
- Excellent for cleaning jobs
- Controls water supply easily and efficiently
- Automatic shut-off conserves water
- Rated up to 200 psi
- Blue rubber cover
- Various models available; see chart on p. E32



### MV-3516-25 Aluminum Rear Trigger Water Gun



- NEW!** Aluminum water gun with 5/16" flow orifice
- Blue rubber cover
  - Includes 1/2" NPT x 3/8" NPT female adapter (not shown)
  - Weighs 1/2 lb. less than MV-2516 and MV-2522 water guns
  - Variable spray patterns
  - Drip-free automatic shut-off

#### MV-2516 and MV-2522 Water Gun Replacement Parts:

- 014087-45 5/16" and 7/16" Orifice, Rear Trigger Cartridge Asm.
- 014132-45 9/16" Orifice, Rear Trigger Cartridge Assembly
- 014086-45 5/16" and 7/16" Orifice, Front Trigger Cartridge Asm.
- 014131-45 9/16" Orifice, Front Trigger Cartridge Assembly
- 014187-45 Blue Rubber Cover (used on both style guns)

**Note:** See page E32 for charts showing the configuration of T&S heavy-duty water gun models that are available.

#### MV-3516 Models and Kit:

- MV-3516-21 1/2 NPT x 1/2" hose barb
- MV-3516-22 1/2 NPT x 3/4" hose barb
- MV-3516-23 1/2 NPT x 1" hose barb
- MV-3516-24 1/2 NPT female inlet
- MV-3516-24-RK MV-3516-24 repair kit

## Spray Valves / Repair Kits

### B-0107 Spray Valve

- 1.42 GPM at 60 PSI
- Connects directly to hose
- Designed for heavy use in industrial kitchens
- Shuts off when handle is released
- Add "-01M" suffix to hose reel model to specify this spray valve



### EB-0107 Spray Valve

- Blue spray valve
- 4.0+ GPM at 60 PSI flow
- Connects directly to hose
- Designed for heavy use in industrial kitchen settings
- Shuts off when handle is released
- Add "-01" suffix to hose reel model to specify this spray valve



### B-10K B-0107 Spray Valve Repair Kit

- |                             |                                     |
|-----------------------------|-------------------------------------|
| 2 (000895-45) Spring        | 2 (001040-45) Bonnet binding washer |
| 2 (000974-45) Bonnet washer | 2 (012915-45) Seat washer           |
| 2 (010476-45) Hose washer   | 1 (007861-45) Spray head ring       |
| 2 (001100-45) Packing stem  | 1 (000913-45) Spray face screw      |
| 2 (009306-20) Valve stem    | 1 (001121-45) Spray face            |

### EB-10K EB-0107 Spray Valve Repair Kit

- |                                       |                                    |
|---------------------------------------|------------------------------------|
| 4 (000974-45) Bonnet washer           | 1 (011475-45) Blue spray head ring |
| 2 (010476-45) Hose washer             | 1 (000913-45) Spray face screw     |
| 2 (001100-45) Packing stem            | 1 (011456-45) Blue spray face      |
| 2 (009306-20) Valve stem              | 2 (000895-45) Spring               |
| 2 (001040-45) Bonnet binding washer   |                                    |
| 2 (012915-45) Seat washer bonnet asy. |                                    |