

Standard B-0107 Spray Valve Pre-Rinse Units



With Spring Action Gooseneck

Pre-rinse units with the redesigned B-0107 spray valve (1.42 GPM) comply with EPAct 2005.

- Most pre-rinse units are equipped with internal spring checks to prevent cross flow.
- Hot Spindle Assembly – 002712-40
- Cold Spindle Assembly – 002711-40

B-0113-B Series Pre-Rinse Units

- Single hole base faucet assembly (014207-40) or (B-0113-LN) with EasyInstall™ “pop and lock” riser installation feature
- B-0109-01 6” (152 mm) wall bracket
- 18” (457 mm) flexible inlets with 1/2” couplings
- B-0107 spray valve (1.42 GPM)
- 1/2” NPT male inlets
- 45” (1143 mm) high
- 14” (356 mm) overhang
- 24” (610 mm) riser (000372-40)
- 19-3/8” (492 mm) clearance
- B-0044-H flexible stainless steel hose

Note: Universal body accepts flex lines and spreader yoke

Easy Install

B-0113-B



B-0113-B Series Pre-Rinse Units with B-0107 Spray Valve Models

B-0113 without B-0109-01 wall bracket

All other models are same as B-0113 except:

B-0113-01BY with 4” spreader unit and 6” wall bracket

B-0113-079X-V-B with vacuum breaker and 10” (254 mm) riser

B-0113-12-CRVB with ceramic cartridges, add-on faucet, 12” swing nozzle and vacuum breaker

B-0113-A12B-TEE with add-on faucet, 12” swing nozzle, B-0109-01 wall bracket and accessory fitting tee

B-0113-B with B-0109-01 wall bracket

B-0113-B-SWV with B-0109-01 wall bracket and swivel

B-0113-B-TEE with B-0109-01 wall bracket and accessory fitting tee

B-0113-B9 with B-0109-02 9” (229 mm) wall bracket

B-0113-BM B-0113-B Master Box (6)

B-0113-BR with B-0044-R PVC hose

B-0113-BY with spreader unit

B-0113-CR with ceramic cartridges

B-0113-CR-B with ceramic cartridges and B-0109-01 wall bracket

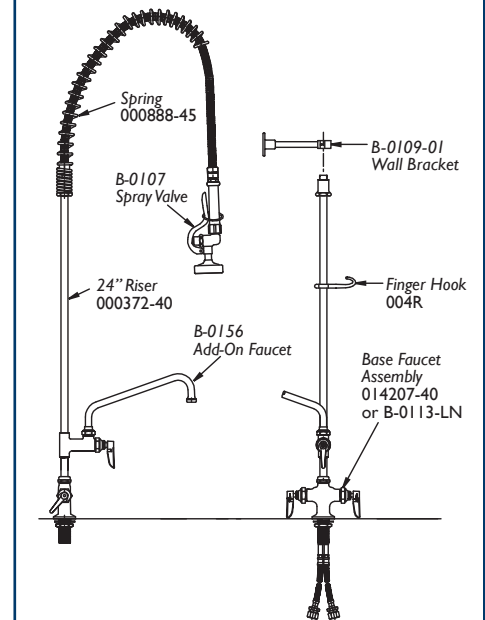
B-0113-CR-V-B with ceramic cartridges, B-0109-01 wall bracket and B-0970-FEZ EasyInstall vacuum breaker

B-0113-M Master Box (6)

B-0113-Y Same as B-0113-BY except without B-0109-01 wall bracket

NEW Pre-Rinse Models!

B-0113 Add-On Faucet Series



B-0113 Series Pre-Rinse Units with Add-On Faucet (-A__ Models)

B-0113-ADF08-B with 8” (203 mm) add-on faucet and wall bracket

B-0113-ADF10-B with 10” (254 mm) add-on faucet and wall bracket

B-0113-ADF10-BR with 10” (254 mm) add-on faucet, wall bracket and brush attachment (BR-10)

B-0113-ADF12 with 12” (305 mm) add-on faucet

B-0113-ADF12-B with 12” (305 mm) add-on faucet and wall bracket