



T&S BRASS AND BRONZE WORKS, INC.

2 Saddleback Cove / P.O. Box 1088
Travelers Rest, SC 29690

Model No.

B-1115

Item No.

Travelers Rest, SC: 800-476-4103 • Simi Valley, CA: 800-423-0150 • Fax: 864-834-3518 • www.tsbrass.com

This Space for Architect/Engineer Approval

Job Name _____ Date _____

Model Specified _____ Quantity _____

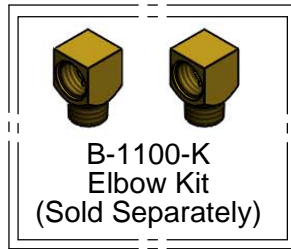
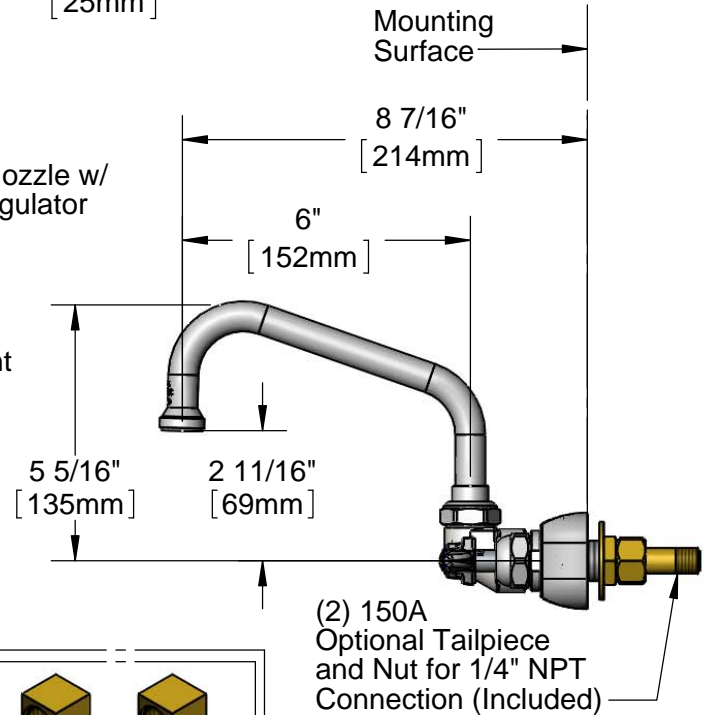
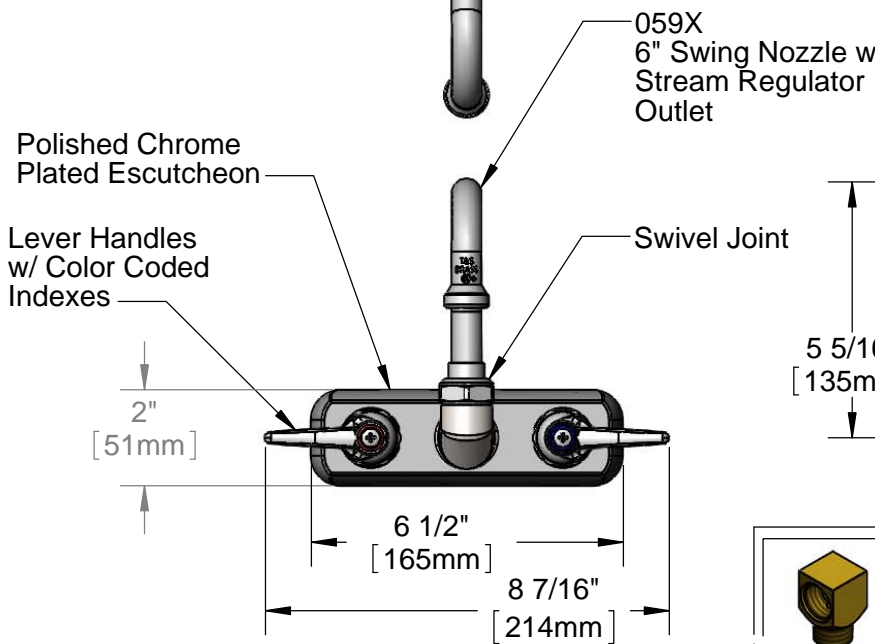
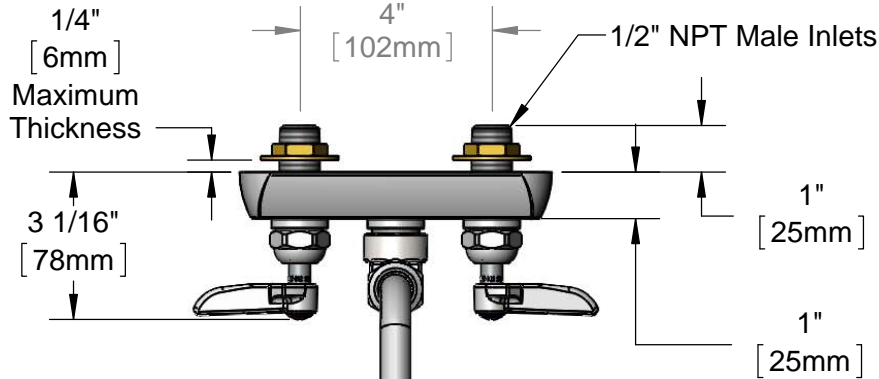
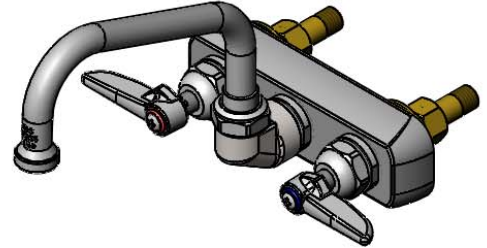
Customer/Wholesaler _____

Contractor _____

Architect/Engineer _____



ADA Compliant



Rough-In Requirement:
(2) \varnothing 1" [25mm] Mounting Holes

Product Specifications:

4" Wall Mount Workboard Faucet, Lever Handles, 6" Swing Nozzle, & 1/2" NPT Male Inlets

Product Compliance:

ASME A112.18.1 / CSA B125.1
NSF 61 - Section 9
NSF 372 (Low Lead Content)
ANSI A117.1 (ADA)



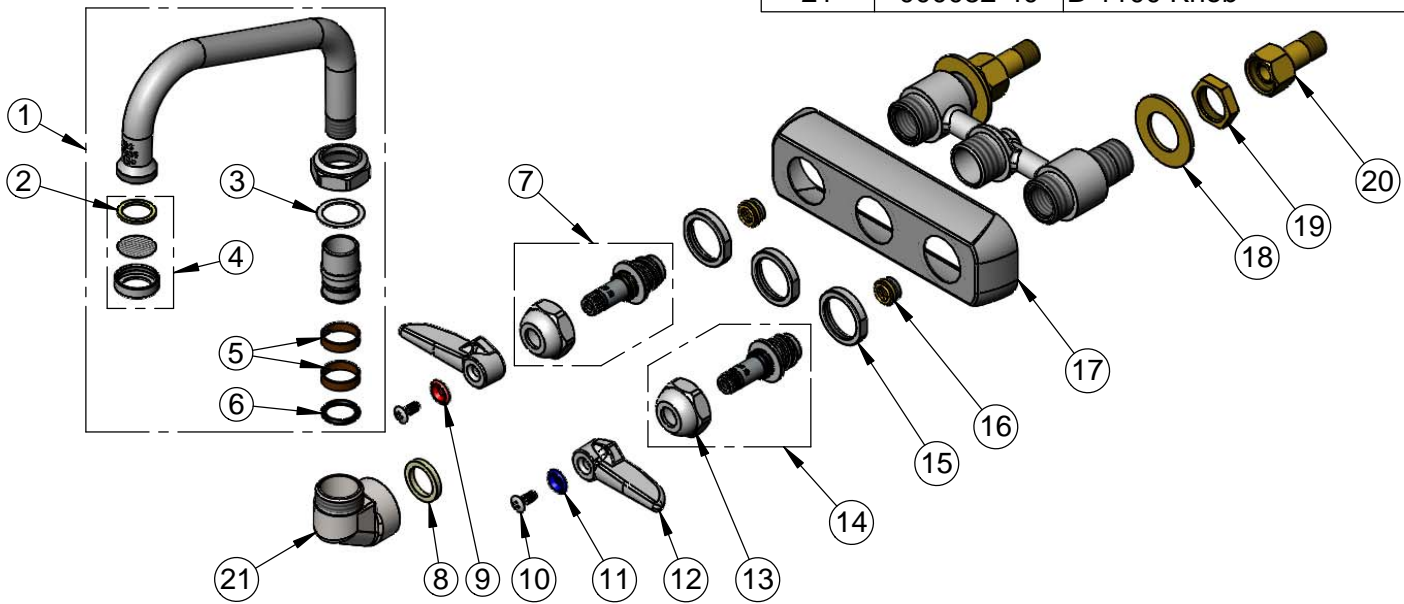
T&S BRASS AND BRONZE WORKS, INC.
 2 Saddleback Cove / P.O. Box 1088
 Travelers Rest, SC 29690

Model No.
B-1115

Item No.

Travelers Rest, SC: 800-476-4103 • Simi Valley, CA: 800-423-0150 • Fax: 864-834-3518 • www.tsbrass.com

ITEM NO.	SALES NO.	DESCRIPTION
1	059X	6" Swing Nozzle
2	001048-45	Nozzle Tip Washer
3	009538-45	Swivel Washer
4	B-PT	Stream Regulator Outlet
5	011429-45	Swivel Sleeves (2)
6	001074-45	O-Ring
7	009754-25	B-1100 Spindle, LTC
8	001017-45	Washer
9	001661-45	Red Index-HW
10	000922-45	Lever Handle Screw
11	001660-45	Blue Index-CW
12	001638-45	Lever Handle
13	009749-25	Bonnet Nut
14	009753-25	B-1100 Spindle, RTC
15	000712-25	Escutcheon Lock Nut
16	000763-20	Seat
17	001258-40	Escutcheon
18	000999-45	Brass Lock Washer
19	002954-45	Shank Lock Nut
20	150A	1/4" NPT Tailpiece & Nut
21	000082-40	B-1100 Knob



Product Specifications:
 4" Wall Mount Workboard Faucet, Lever Handles, 6" Swing Nozzle,
 & 1/2" NPT Male Inlets

Product Compliance:
 ASME A112.18.1 / CSA B125.1
 NSF 61 - Section 9
 NSF 372 (Low Lead Content)
 ANSI A117.1 (ADA)