



T&S BRASS AND BRONZE WORKS, INC.
 2 SADDLEBACK COVE / P.O. BOX 1088 / TRAVELERS REST, SC 29690
 PHONE 800-476-4103 FAX 864- 834-3518



Sales No.

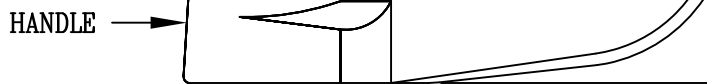
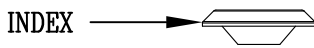
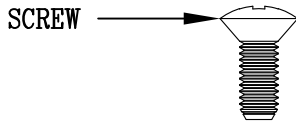
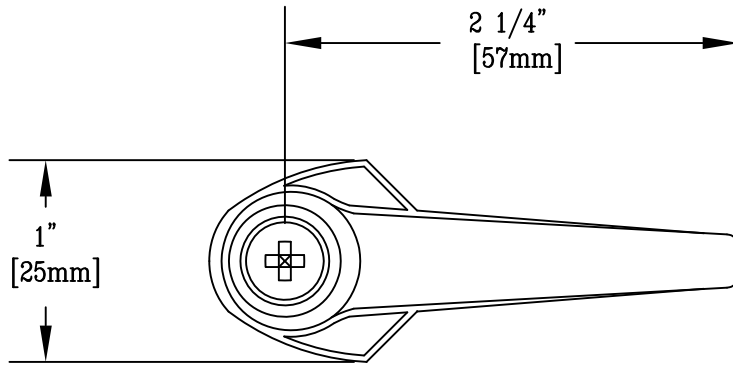
001637-45

Item No.:

Job Name:

Architect/Engineer Approval:

Notes:



5/8" [16mm]

Product Description:
 LEVER HANDLE w/ RED INDEX (HOT) & SCREW

Drawn: KJG	Checked DMH	Scale: 1:1
Approved JHB	Date: 6/28/10	