



**T&S BRASS AND BRONZE WORKS, INC.**

2 Saddleback Cove / P.O. Box 1088  
Travelers Rest, SC 29690

Model No.

**B-0123**

Item No.

Travelers Rest, SC: 800-476-4103 • Simi Valley, CA: 800-423-0150 • Fax: 864-834-3518 • www.tsbrass.com

**EPAct 2005 Compliant**

This Space for Architect/Engineer Approval

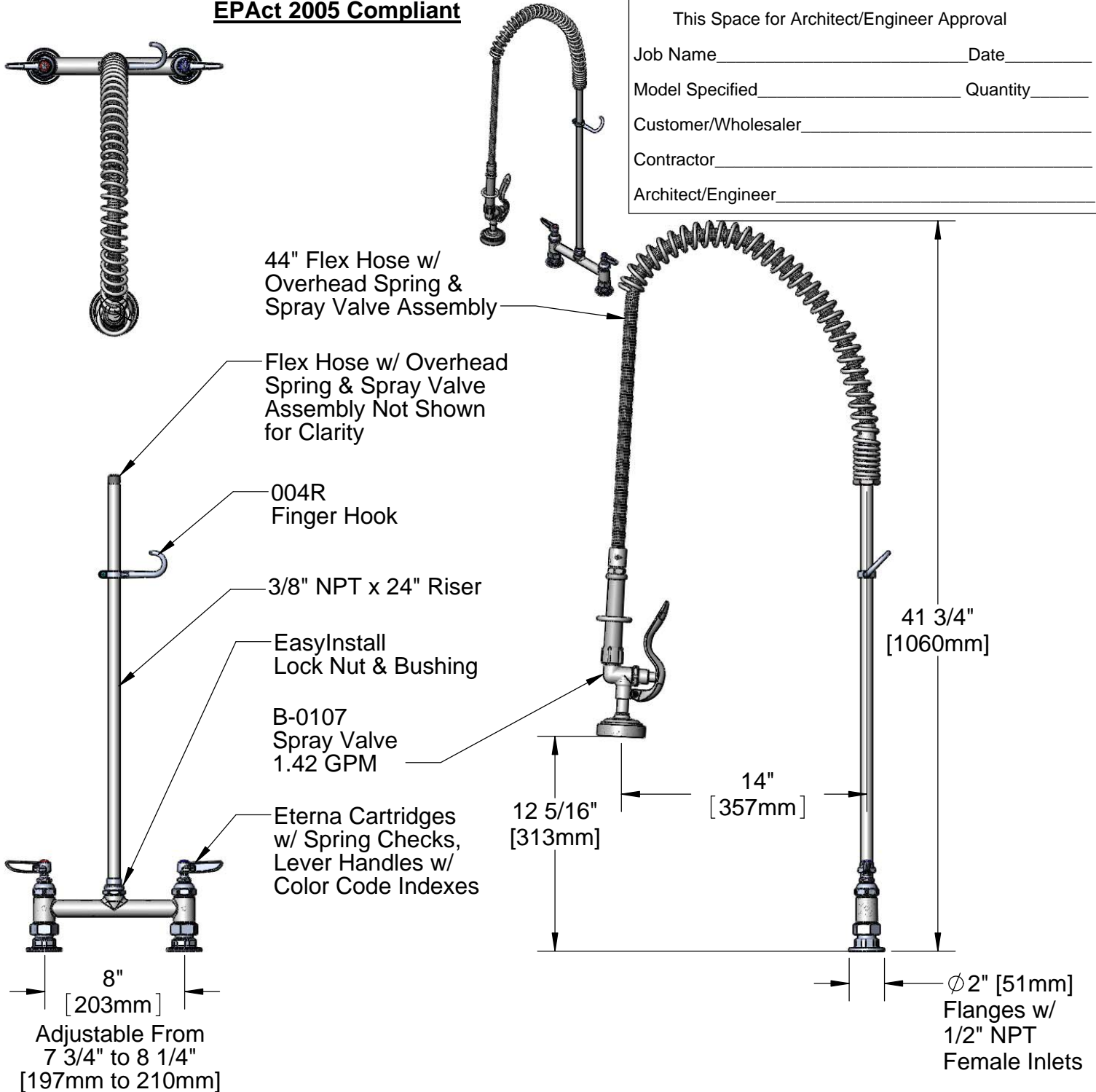
Job Name \_\_\_\_\_ Date \_\_\_\_\_

Model Specified \_\_\_\_\_ Quantity \_\_\_\_\_

Customer/Wholesaler \_\_\_\_\_

Contractor \_\_\_\_\_

Architect/Engineer \_\_\_\_\_



Product Specifications:

EasyInstall Pre-Rinse Unit:  
8" c/c Deck Mount Mixing Faucet, 1/2" NPT Female Inlets,  
24" Riser, Overhead Spring, 44" Flex Hose & B-0107 Spray Valve

Drawn

JRM

Checked

DMH

Approved

JHB

Scale:

1:8

Date:

03/27/12



# T&S BRASS AND BRONZE WORKS, INC.

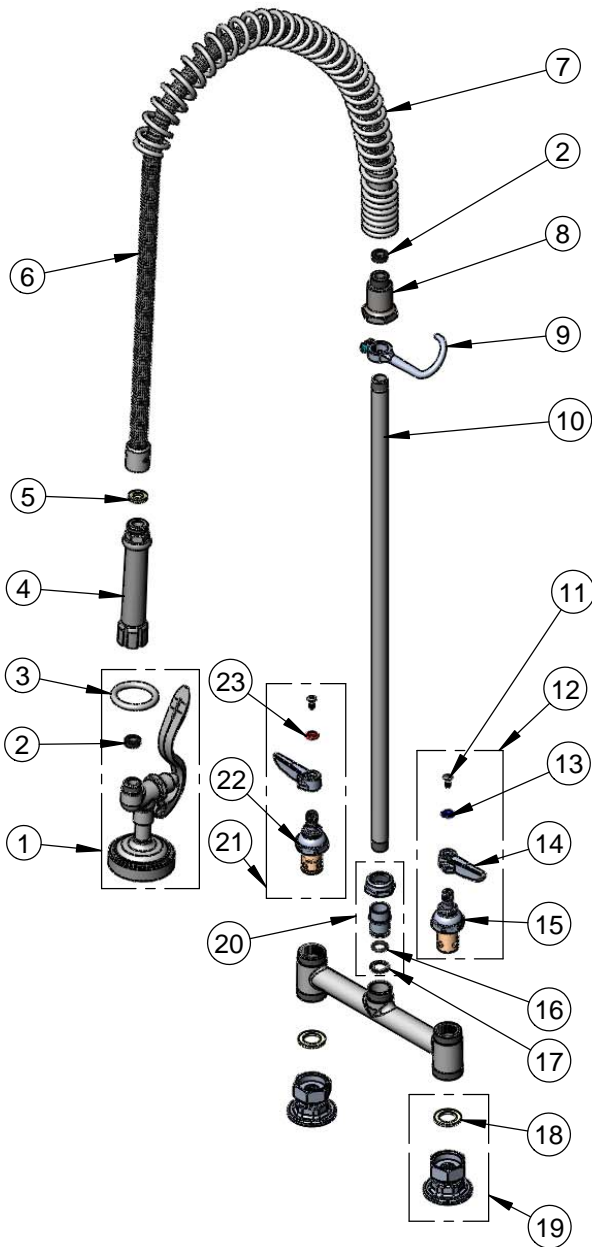
2 Saddleback Cove / P.O. Box 1088  
Travelers Rest, SC 29690

Model No.

**B-0123**

Item No.

Travelers Rest, SC: 800-476-4103 • Simi Valley, CA: 800-423-0150 • Fax: 864-834-3518 • www.tsbrass.com



ITEM NO.	SALES NO.	DESCRIPTION
1	B-0107	Spray Valve Assembly w/ Hold Down Ring & Washer
2	010476-45	#27 Washer
3	000907-45	Spray Valve Hold Down Ring
4	002987-40	Grip Handle Assembly
5	001014-45	Washer, B-0100 Hose Barrel
6	B-0044-H2A	SS Flex Hose
7	000888-45	EasyInstall Overhead Spring
8	000821-40	Spring Body
9	004R	Finger Hook Assembly
10	000372-40	Nipple, 3/8 x 24"
11	000922-45	Lever Handle Screw
12	002711-40	Eterna Cartridge (LTC) w/ Spring Check, Handle, Index & Screw
13	001660-45	Blue Index-CW
14	001638-45	Lever Handle
15	012442-40	Eterna Cartridge (LTC) w/ Spring Check
16	001065-45	O-Ring
17	014200-45	Star Washer, Anti-Rotation
18	001019-45	Coupling Nut Washer
19	00AA	Flange Assembly
20	EZ-K	EasyInstall Kit: Bushing, O-ring, Lock Washer & Loctite 222
21	002712-40	Eterna Cartridge (RTC) w/ Spring Check, Handle, Index & Screw
22	012443-40	Eterna Cartridge (RTC) w/ Spring Check
23	001661-45	Red Index-HW

**Product Specifications:**

EasyInstall Pre-Rinse Unit:  
8" c/c Deck Mount Mixing Faucet, 1/2" NPT Female Inlets,  
24" Riser, Overhead Spring, 44" Flex Hose & B-0107 Spray Valve

Drawn

JRM

Checked

DMH

Approved

JHB

Scale:

NTS

Date:

03/27/12