



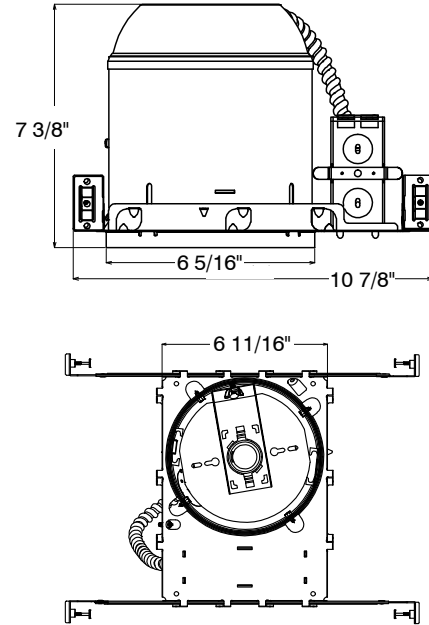
Type: _____ Catalog #: _____
 Project: _____ Contact: _____

6" Line Voltage Recessed Can

New Construction IC Airtight
RH6/N/IC/ATS



DIMENSIONS



PRODUCT SPECIFICATIONS

Lamp 75 Watt Max

Plaster Frame / Housing Plaster frame is galvanized steel and housing is steel. The housing can be removed from the plaster frame to provide access to the junction box.

INSTALLATION

Bar Hanger Pre-installed nails easily install in regular or engineered lumber. Bar hangers are adjustable from 13-5/8" to 25" and can be repositioned 90 degree on plaster frame.

Junction Box Listed for through branch circuit wiring. Contains seven 7/8" knockouts and four Romex pryouts with strain relief.

LABELS AND LISTINGS

cUL Listed for Damp Location
 cUL Listed for Feed Through
 Certified under ASTM-E283 for Airtight construction



ORDERING INFORMATION

Code: **78516**

Item # **RH6/N/IC/ATS**

Topaz offers numerous lamp options. Consult your sales rep.

Specifications Subject To Change Without Notice.

Series	Aperture Size	Lamp Orientation	Construction	Lamp Style	# of Lamps	Lamp Wattage	Insulation Contact	Air Tight	Voltage	Options
RH= Recessed Housing	3	Blank=Vert	Blank=Standard Depth Can	Blank=Incand.	1 or 2	Blank=Incand. Insert wattages for CFL, GU and LED	Blank=Non-IC IC=IC	Blank=Non-AT AT=AT	Blank=120 H=120/277	Any Modifications
	4	H=Hor	R=Remodel	C=CFL						
	5		N=New	G=GU						
	6		S=Shallow SL=Slope SSL=Super Slope	LED=LED LV=Low Voltage						



NY Office: 925 Waverly Avenue, Holtsville, NY 11742 • 800-666-2852 • Fax: 631-758-8026
CA Office: 225 Parkside Drive, San Fernando, CA 91340 • 888-551-2852 or 818-838-3123 • Fax: 888-690-2852 or 818-838-3102
FL Office: 2020 West 26th Street, Jacksonville, FL 32209 • 800-338-2852 • Fax: 772-778-5386