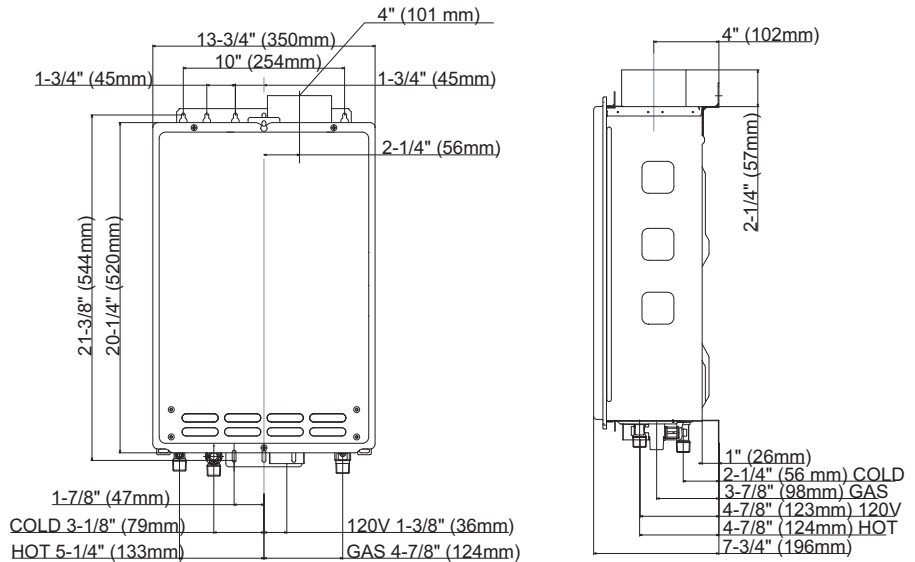


**NON-CONDENSING** **T-KJr2 Series**

The T-KJr2 Series is great for apartments, one bath homes in cold climates, condos and summer cabins. Remote control included as a standard feature.



**Dimensions**



# Specifications

Provides a variety of installation options: indoor, outdoor, and direct vent.

## Warranty Information\*\*

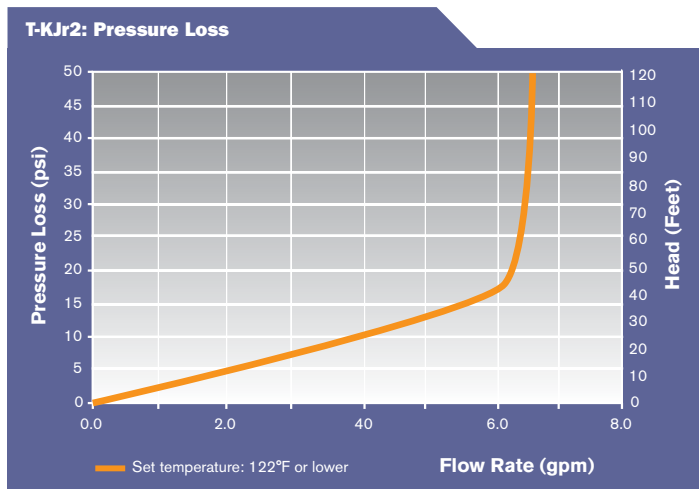
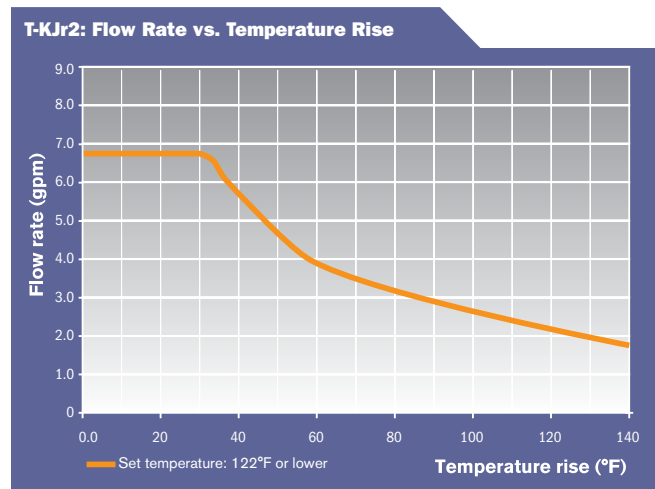
### Residential Use:

15 yrs limited heat exchanger, 5 yrs limited parts

\*\*Refer to [www.Takagi.com](http://www.Takagi.com) for further warranty details.

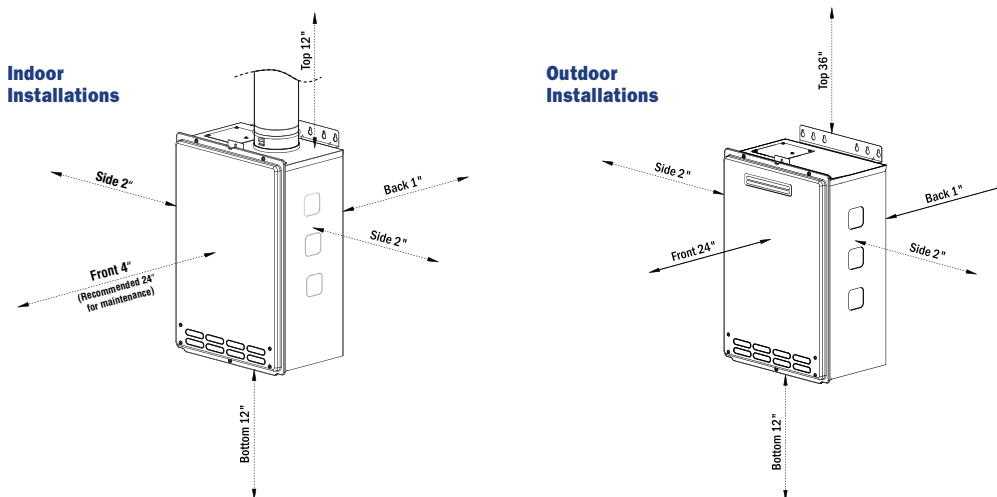
T-KJr2-IN includes both a remote control and power cord as standard features

<b>Installation Type</b>	Indoor, Outdoor, Direct Vent			
<b>Dimension</b>	20-1/4" (H) X 13-3/4" (W) X 7-3/4" (D) , Weight :33 lbs			
<b>Electric</b>	120 V	0.77 A (Operation)	0.052 A (Standby)	0.93 A (Freeze-Protection)
<b>Ignition</b>	Electronic Ignition			
<b>Noise Level</b>	55 dB at Max output			
<b>Fuel</b>		NG	LP	
<b>Gas Consumption</b>	Min. Input	19,500 BTU/h	19,500 BTU/h	
	Max. Input	140,000 BTU/h	140,000 BTU/h	
<b>Energy Factor</b>		0.82	0.82	
<b>Gas Pressure</b>		Min 5.0" W.C.	Min 8.0" W.C.	
		Max 10.5" W.C.	Max 14.0" W.C.	
<b>Flow Rate</b>	6.6 GPM	Values based on factory testing. 0.4 GPM required for continuous fire after initial ignition		
<b>Hot/Cold/Gas Connection</b>	3/4" NPT			
<b>Coil Capacity</b>	≈0.2 Gallons			
<b>Water Pressure</b>	15-150 PSI	Pressure Only Relief Valve Requires (Min 200,000 BTUs. 150 PSI). 40 psi or above recommended for max. flow		
<b>Multiple Unit Installation</b>	Easy-Link System	N/A	N/A	
	Multi-Unit System	N/A	N/A	
<b>T-KJr2 Temperature Settings</b>	Dipswitches	113°F	122°F (default)	131°F 140°F
	With 9007666005 remote (max. distance 400' from heater, non-polarized 18 gauge wiring.)			
	99°F to 167°F (16 options), 122°F Default Factory Setting			



# Clearance

## Clearances to Combustible and Non-Combustible Surfaces



# Models

IN or DV = Inside

OS = Outside

			Connection: Gas/Water Power	Venting Intake Exhaust (Cat. III Stainless)	Easy-Link (EL) Multi-Unit (MU)	Temperature (with remote)	GPM (Max) Per Unit	Energy Factor NG, LP	NG Max (BTU/h), LP Max (BTU/h)	Dimension/ Weight
<b>CONDENSING</b>	<b>T-H3M Series</b> 	High efficiency ultra-low NOx condensing tankless. 3" PVC venting. 0" clearance to combustible.	1/2" Gas 3/4" Water 120 VAC	Intake & Exhaust 3", 70' Max, 5 elbow Max OR 4", 100' Max, 5 elbow Max (PVC venting capable) OS = no venting required	N/A	100 to 140 (100 to 140)	6.6	Energy Factor NG: 0.93 LP: 0.93	NG: 120,000 LP: 120,000	H = 22-7/8" W = 13-7/8" D = 10-13/16" 44 lbs
	<b>T-H3J Series</b> 	High efficiency ultra-low NOx condensing tankless. 3" PVC venting. 0" clearance to combustible.	3/4" Gas/Water 120 VAC	Intake & Exhaust 3", 70' Max, 5 elbow Max OR 4", 100' Max, 5 elbow Max (PVC venting capable) OS = no venting required	N/A	100 to 140 (100 to 140)	6.6	Energy Factor NG: 0.95 LP: 0.95	NG: 160,000 LP: 160,000	H = 22-1/2" W = 17-3/4" D = 10-3/4" 58 lbs
	<b>T-H3S Series</b> 	High efficiency ultra-low NOx condensing tankless. 3" PVC venting. 0" clearance to combustible.	3/4" Gas/Water 120 VAC	Intake & Exhaust 3", 70' Max, 5 elbow Max OR 4", 100' Max, 5 elbow Max (PVC venting capable) OS = no venting required	N/A	100 to 140 (100 to 140)	8.0	Energy Factor NG: 0.95 LP: 0.95	NG: 180,000 LP: 180,000	H = 22-1/2" W = 17-3/4" D = 10-3/4" 58 lbs
	<b>T-H3 Series</b> 	High efficiency ultra-low NOx condensing tankless. 3" PVC venting. 0" clearance to combustible.	3/4" Gas/Water 120 VAC	Intake & Exhaust 3", 70' Max, 5 elbow Max OR 4", 100' Max, 5 elbow Max (PVC venting capable) OS = no venting required	(EL) 4 units (MU) 20 units	100 to 185 (100 to 185)	10.0 (4 units generate 40 GPM Max; 20 units generate 200 GPM Max)	Energy Factor NG: 0.95 LP: 0.95	NG: 199,000 LP: 199,000	H = 22-1/2" W = 17-3/4" D = 10-3/4" 59 lbs
<b>NON-CONDENSING ULTRA-LOW NOX</b>	<b>T-KJr2 Series</b> 	Great for apartments, condos and summer cabins.	3/4" Gas/Water 120 VAC	IN Model: Intake 3" (50' Max) Exhaust 4" (50' Max)	N/A	113 to 140 (99 to 167)	6.6	Energy Factor NG: 0.82 LP: 0.83	NG: 140,000 LP: 140,000	H = 20-1/2" W = 13-3/4" D = 6-3/4" 33 lbs
	<b>T-K4 Series</b> 	Adds 1 more shower over the 110 at minimal increase in cost.	3/4" Gas/Water 120 VAC	IN Model: Intake 3" (50' Max) Exhaust 4" (50' Max)	N/A	113 to 140 (99 to 167)	8.0	Energy Factor NG: 0.82 LP: 0.82	NG: 190,000 LP: 190,000	H = 20-1/2" W = 13-3/4" D = 8-1/2" 38 lbs
	<b>T-D2 Series</b> 	Well suited for light commercial applications. HRS Copper.	3/4" Gas/Water 120 VAC	IN Model: Intake 3" (50' Max) Exhaust 4" (50' Max)	(EL) 4 units (MU) 20 units (T-D2U only)	104 to 185 (99 to 185)	10.0 (4 units generate 40 GPM Max; T-D2U generates up to 200 GPM Max)	Energy Factor NG: 0.82 LP: 0.82	NG: 199,000 LP: 199,000	H = 20-1/2" W = 13-3/4" D = 8-1/2" 39 lbs
<b>NON-CONDENSING</b>	<b>T-M32 Series</b> 	Generates 180 GPM (Max) when manifolding 20 units. HRS Copper. LED display	3/4" Gas/Water 120 VAC	Intake 4" (50' Max) Exhaust 4" (50' Max)	(EL) 4 units (MU) 20 units	100 to 185 (100 to 185)	9.0 (4 units generate 36 GPM Max; 20 units generate 180 GPM Max)	Thermal Efficiency NG: 82.2% LP: 83.9%	NG: 240,000 LP: 240,000	H = 23-5/8" W = 18-1/2" D = 8-7/8" 59 lbs
	<b>T-M50 Series</b> 	Generates most GPM in tankless industry. 14.5 GPM (Max). HRS Copper. LED display.	1" Gas/Water 120 VAC	Intake 5" (50' Max) Exhaust 5" (50' Max)	(EL) 4 units (MU) 10 units	100 to 185 (100 to 185)	14.5 (4 units generate 58 GPM Max; 10 units generate 145 GPM Max)	Thermal Efficiency NG: 80.2% LP: 82.4%	NG: 380,000 LP: 380,000	H = 25-1/4" W = 24-3/4" D = 11-3/4" 102 lbs

T-KJr2, T-K4 & T-D2 are available in standard non-condensing models, see pages 12-17