



Submittal Data Information

101-040

VorTech® & 4900 Series Air Separators

Effective: February 1, 2010

Supersedes: August 26, 2008

JOB _____ ENGINEER _____ CONTRACTOR _____ REP. _____

| ITEM | QUANTITY | MODEL NUMBER | SIZE |
|------|----------|--------------|------|
|------|----------|--------------|------|

4900 Materials of Construction

Housing: Brass
 PALL Rings: Stainless Steel
 Venting Unit Components: Stainless Steel, EPDM, Viton, Brass, and Engineered Plastics

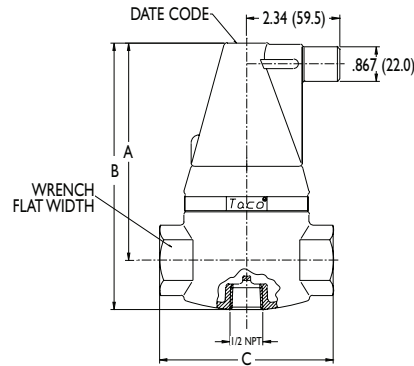
4900 Ratings

Maximum Operating Pressure: 150 psi
 Maximum Operating Temperature: 240°F
 Minimum Operating Temperature: 25°F
 Media: Water or Water/Glycol
 Maximum Velocity: 5 feet/sec

| Product | Cv | Kv |
|---------|----|----|
| 49-075 | 14 | 12 |
| 49-100 | 24 | 20 |
| 49-125 | 37 | 32 |
| 49-150 | 49 | 42 |
| 49-200 | 73 | 63 |

4900 Dimensions & Weights Nominal Dim: inches (mm)

| Model | Conn. Size | A | B | C (NPT) | C (SWT) | Wrench Flat Width | Approx. Shipping Weights | |
|--------|------------|--------------|---------------|---------------|---------------|-------------------|--------------------------|-----|
| | | | | | | | Lbs. | Kg. |
| 49-075 | 3/4" | 4-3/4 (121) | 5-15/16 (151) | 3-3/4 (96) | 4-3/16 (107) | 1-1/2 (38) | 3.5 | 1.6 |
| 49-100 | 1" | 5-1/2 (139) | 6-3/4 (171) | 4-3/8 (111) | 4-13/16 (122) | 1-3/4 (44) | 4.5 | 2 |
| 49-125 | 1-1/4" | 6-1/16 (154) | 7-9/16 (192) | 4-1/2 (114) | 5-3/16 (132) | 2-1/4 (57) | 5.3 | 2.4 |
| 49-150 | 1-1/2" | 6-1/16 (154) | 7-9/16 (192) | 4-1/2 (114) | 5-7/16 (138) | 2-1/2 (64) | 5.4 | 2.5 |
| 49-200 | 2" | 6-5/8 (169) | 8-7/16 (214) | 5-3/16" (131) | N/A | 2-3/4 (70) | 6.0 | 2.7 |



VorTech® Materials of Construction

Body & Cap: Cast Iron
 Cartridge & Plate: Stainless Steel
 O-Ring: Viton
 Vent: Taco 419 Hy-Vent®

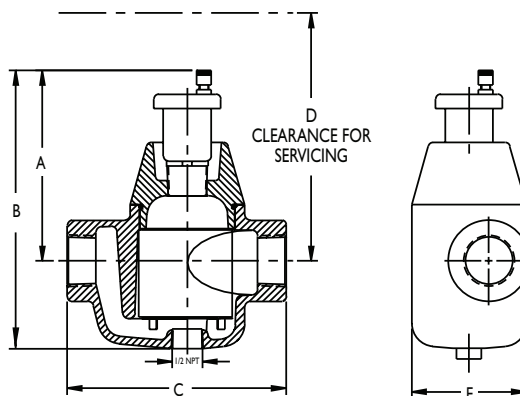
VorTech® Ratings

Maximum Operating Pressure: 150 psi
 Maximum Operating Temperature: 240°F
 Media: Water or Water/Glycol
 Recommended Velocity: 4 feet/sec
 Maximum Velocity: 8 feet/sec

| Product | Cv | Kv |
|---------|------|------|
| VRTX075 | 14 | 12.5 |
| VRTX100 | 15.5 | 14.1 |
| VRTX125 | 21.4 | 17.0 |
| VRTX150 | 34.8 | 30.1 |
| VRTX200 | 42.7 | 36.9 |

VorTech® Dimensions & Weights Nominal Dim: inches (mm)

| Model | Conn. Size | A | B | C | D | E | Approx. Shipping Weights | |
|---------|------------|-------------|-------------|-------------|-------------|-------------|--------------------------|-----|
| | | | | | | | Lbs. | Kg. |
| VRTX075 | 3/4" NPT | 5 (127) | 7 5/8 (194) | 5 3/4 (146) | 6 1/2 (165) | 3 (76) | 7 | 3.2 |
| VRTX100 | 1" NPT | 5 (127) | 7 5/8 (194) | 5 3/4 (146) | 6 1/2 (165) | 3 (76) | 7 | 3.2 |
| VRTX125 | 1 1/4" NPT | 5 (127) | 7 5/8 (194) | 5 3/4 (146) | 6 1/2 (165) | 3 (76) | 7 | 3.2 |
| VRTX150 | 1 1/2" NPT | 5 3/4 (146) | 9 1/8 (232) | 8 1/4 (210) | 7 1/4 (184) | 4 7/8 (124) | 15 | 6.8 |
| VRTX200 | 2" NPT | 5 3/4 (146) | 9 1/8 (232) | 8 1/4 (210) | 7 1/4 (184) | 4 7/8 (124) | 15 | 6.8 |



Do it Once. Do it Right.®

TACO INC., 1160 Cranston Street, Cranston, RI 02920 Telephone: (401) 942-8000 Fax: 942-2360
 TACO (Canada), Ltd., 6180 Ordan Drive, Mississauga, Ontario L5T 2B3 Telephone: (905) 564-9422
 Visit our website at: www.taco-hvac.com

Fax: (905) 564-9436

Printed in USA
 Copyright 2010
 TACO, Inc.