

### In-Line Circulators

Taco In-Line Circulators are designed to efficiently circulate heated or chilled water in residential or light commercial Hydronic Systems. These circulators may also be used for zoning large installations and are available in bronze or stainless steel construction for domestic hot water applications.

In-Line Circulators demonstrate proven performance, dependability, quiet operation and long lasting performance.



**NSF® ≤ .25% Lead**

Stainless Steel Models  
Meet California AB 1953  
and Vermont Act 193



# 110 Series In-Line Circulators

Submittal Data # 101-155  
Supersedes: New

Effective: 02/01/13

## 110 Series (110, 111, 112, 113, 120) Red Baron Circulators:

### Rugged Motor Built to Last

- Resilient mounted, split phase motor with built-in overload protector
- Equipped with sleeve bearings for quiet operation

### Proven Pump Construction

- One piece non-ferrous impeller
- Stainless steel shaft
- Rugged bronze sleeve bearing
- Two piece carbon/ceramic seal assembly
- Durable one piece spring coupling

### Factory Tested

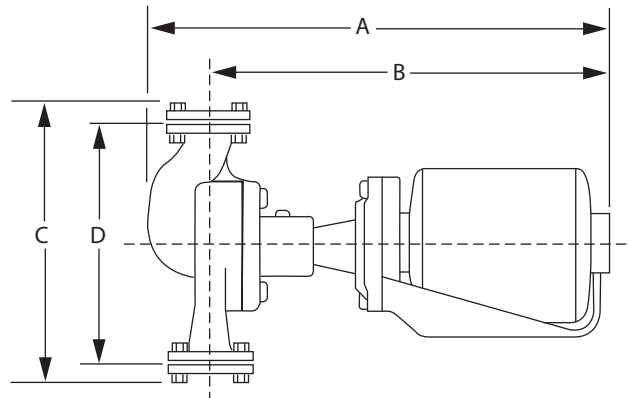
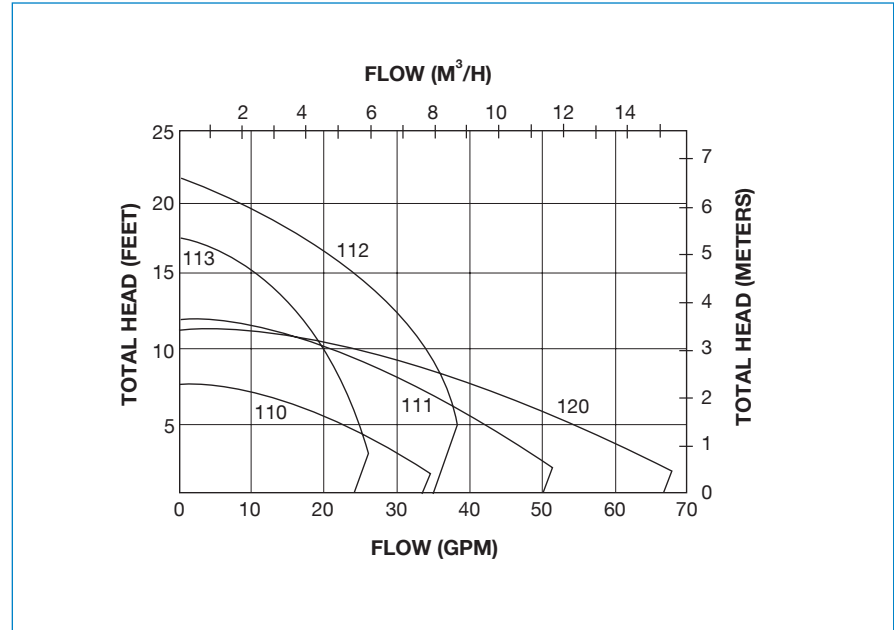
- Every circulator is operated before shipment

### Easy, Low-Cost Service

- No special tools required
- Nationwide parts availability

### Accessories & Options

- Circulators available in:
  - Stainless Steel (110 thru 120 models)
- Companion *freedom* flanges available in:
  - 3/4", 1", 1-1/4", 1-1/2" sizes
- *freedom* Shut-off flanges available in:
  - 3/4", 1", 1-1/4" and 1-1/2" sizes
- Allows easy isolation and service



## Specifications

MODEL NUMBER (1)	FLANGE SIZE	MOTOR (2)		MAXIMUM TEMP. (3)	PRESSURE RATING	DIMENSIONS								APPROX. SHIPPING WEIGHT	
		HP	RPM			A		B		C		D		LBS.	KG
						IN.	MM	IN.	MM	IN.	MM	IN.	MM		
110	3/4", 1", 1 1/4", 1 1/2"	1/12	1725	240°F	125 psi	14 5/8	371.5	12 5/8	320.7	7 7/8	200.0	6 5/16	160.3	21	9.5
111		1/8		240°F (3)		16 1/4	412.8	13 7/8	352.4	10 1/4	260.4	8 3/4	222.3	26	11.8
112		1/3	3450	240°F		16 1/2	419.1	14 1/2	368.3	7 7/8	200.0	6 3/8	161.9	28	12.7
113		1/8	1725	240°F (3)		16 1/4	412.8	14	355.6	10 1/8	257.2	8 1/2	215.9	27	12.2
120	2"	1/6				16 7/8	428.6	14 1/4	362.0	13 1/2	342.9	11	279.4	46	20.9

(1) When specifying all stainless steel construction, add letter "S" after model number (e.g. 110S).  
 (2) Motors are available with other electrical characteristics - consult your Taco representative.  
 (3) 240° Intermittent, 200° Continuous.