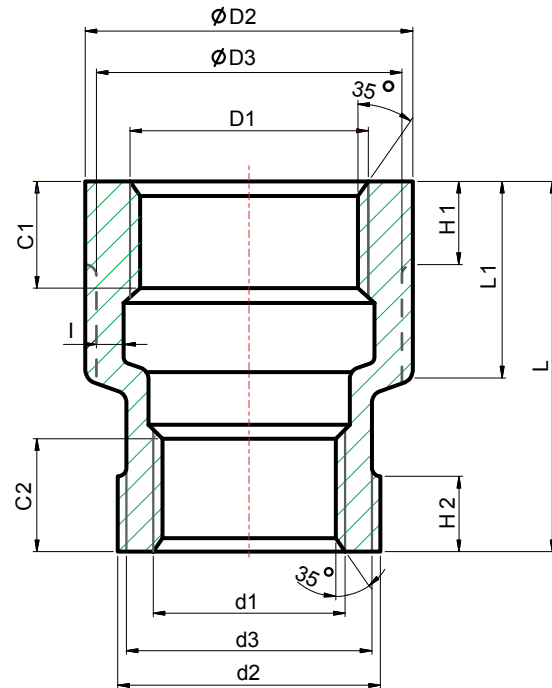


150LB STANDARD PATTERN CAST FITTINGS

RSB - REDUCING COUPLINGS



DESIGN FEATURES:

- 🔴 THREAD: NPT
- 🔴 CF8 (304) & CF8M (316).

DIMENSIONS

unit : inch

SIZE	D1	D2	D3	C1	H1	d1	d2	d3	C2	H2	L1	L	I
1/4"x1/8"	1/4"	0.79	0.71	0.31	0.24	1/8"	0.63	0.55	0.43	0.28	0.63	1.12	0.12
3/8"x1/8"	3/8"	1.00	0.91	0.37	0.28	1/8"	0.63	0.55	0.47	0.24	0.91	1.61	0.12
3/8"x1/4"	3/8"	1.00	0.91	0.38	0.28	1/4"	0.79	0.71	0.51	0.24	0.91	1.61	0.12
1/2"x1/8"	1/2"	1.18	1.10	0.39	0.31	1/8"	0.63	0.55	0.35	0.28	0.94	1.77	0.10
1/2"x1/4"	1/2"	1.18	1.10	0.39	0.31	1/4"	0.79	0.71	0.49	0.28	0.94	1.77	0.10
1/2"x3/8"	1/2"	1.18	1.10	0.39	0.31	3/8"	1.00	0.91	0.39	0.31	0.94	1.77	0.10
3/4"x1/8"	3/4"	1.42	1.30	0.39	0.35	1/8"	0.63	0.55	0.43	0.31	0.87	1.77	0.12
3/4"x1/4"	3/4"	1.42	1.30	0.39	0.35	1/4"	0.79	0.71	0.43	0.31	1.02	1.77	0.12
3/4"x3/8"	3/4"	1.42	1.30	0.39	0.35	3/8"	1.00	0.91	0.59	0.31	0.98	1.77	0.12
3/4"x1/2"	3/4"	1.42	1.30	0.39	0.35	1/2"	1.18	1.10	0.59	0.31	0.98	1.77	0.12
1"x1/8"	1"	1.77	1.65	0.55	0.35	1/8"	0.63	0.55	0.47	0.31	1.02	1.97	0.12
1"x1/4"	1"	1.77	1.65	0.55	0.43	1/4"	0.79	0.71	0.47	0.31	1.10	1.97	0.12
1"x3/8"	1"	1.77	1.65	0.55	0.43	3/8"	1.00	0.91	0.51	0.31	1.10	1.97	0.12
1"x1/2"	1"	1.77	1.65	0.55	0.43	1/2"	1.18	1.10	0.51	0.35	1.14	1.97	0.12
1"x3/4"	1"	1.77	1.65	0.55	0.43	3/4"	1.42	1.30	0.55	0.43	1.10	1.97	0.12
1 1/4"x1/4"	1 1/4"	2.09	1.97	0.71	0.43	1/4"	0.79	0.71	0.59	0.24	1.14	1.97	0.14
1 1/4"x3/8"	1 1/4"	2.09	1.97	0.71	0.43	3/8"	1.00	0.91	0.47	0.31	1.14	1.97	0.14
1 1/4"x1/2"	1 1/4"	2.09	1.97	0.63	0.43	1/2"	1.18	1.10	0.51	0.39	1.18	1.97	0.14
1 1/4"x3/4"	1 1/4"	2.09	1.97	0.63	0.47	3/4"	1.42	1.30	0.51	0.39	1.18	1.97	0.14
1 1/4"x1"	1 1/4"	2.09	1.97	0.63	0.47	1"	1.77	1.61	0.71	0.43	1.18	1.97	0.14

