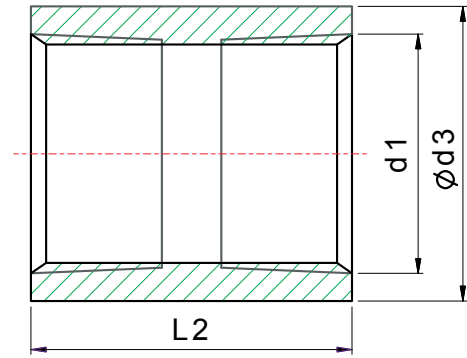
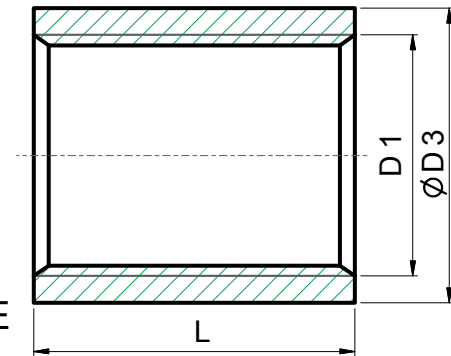


# 150LB STANDARD PATTERN CAST FITTINGS

## FCP - COUPLINGS / SOCKETS



BSPT, NPT



BSP, DIN 2999

### DESIGN FEATURES:

- ☛ THREAD: NPT
- ☛ CF8 (304) & CF8M (316)
- ☛ MADE FROM STAINLESS STEEL WELDED PIPE

### DIMENSIONS

unit : inch

SIZE	d1	BSPT, NPT		D1	BSP, DIN 2999	
		d3	L2		D3	L
1/8"	1/8"	0.55	0.79	1/8"	0.55	0.79
1/4"	1/4"	0.73	1.06	1/4"	0.73	0.98
3/8"	3/8"	0.85	1.10	3/8"	0.85	1.02
1/2"	1/2"	1.04	1.42	1/2"	1.04	1.34
3/4"	3/4"	1.26	1.54	3/4"	1.26	1.42
1"	1"	1.56	1.69	1"	1.56	1.69
1 1/4"	1 1/4"	1.91	1.89	1 1/4"	1.91	1.89
1 1/2"	1 1/2"	2.15	1.89	1 1/2"	2.15	1.89
2"	2"	2.62	2.20	2"	2.62	2.20
2 1/2"	2 1/2"	3.31	2.56	2 1/2"	3.31	2.56
3"	3"	3.94	2.80	3"	3.74	2.80
4"	4"	5.08	3.27	4"	4.80	3.27
5"	5"	6.36	3.54	-	-	-
6"	6"	7.28	3.96	-	-	-

