



T&S BRASS AND BRONZE WORKS, INC.
 2 Saddleback Cove / P.O. Box 1088
 Travelers Rest, SC 29690

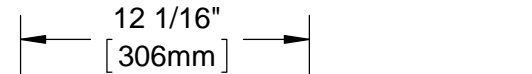
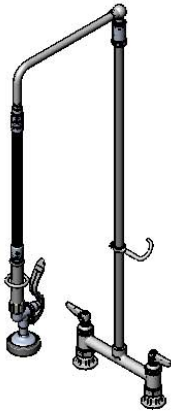
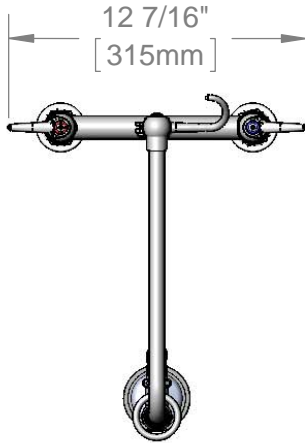
Model No.
B-0121

Item No.

EPAct 2005 Compliant

This Space for Architect/Engineer Approval

Job Name _____ Date _____
 Model Specified _____ Quantity _____
 Customer/Wholesaler _____
 Contractor _____
 Architect/Engineer _____



Items Not Shown
 For Clarity

20" Flexible Stainless
 Steel Hose

3/8" NPT x 32" Riser

Finger
 Hook

B-0107
 1.42 GPM
 Spray Valve

Eterna Cartridges
 w/ Spring Checks &
 Lever Handles w/
 Color Coded Indexes

Swivel Arm

360°
 Swivel
 Joint

38 3/8"
 [975mm]

9 3/16"
 [234mm]

11 5/16"
 [287mm]

Mounting Surface

5 1/8"
 [130mm]

8"
 [203mm]

Adjustable From
 7 3/4" to 8 1/4"
 [197mm to 210mm]

Ø 2" [51mm]
 Flanges w/
 1/2" NPT
 Female Inlets

Product Specifications:

Pre-Rinse Unit: 8" Deck Mount Mixing Faucet, Eterna Cartridges w/ Spring Checks, Lever Handles, 1.42 GPM Spray Valve, 32" Riser, 12" Overhead Swivel Arm & 1/2" NPT Female Inlets

Drawn

Checked

Approved

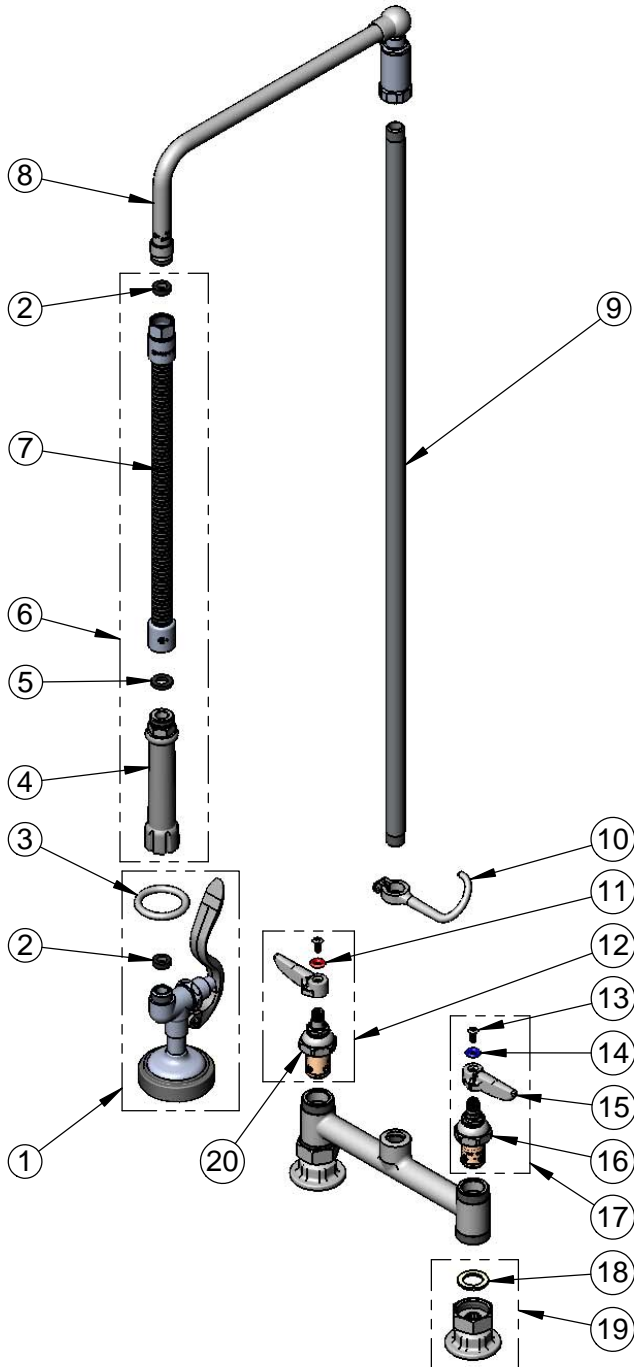
Scale:



T&S BRASS AND BRONZE WORKS, INC.
 2 Saddleback Cove / P.O. Box 1088
 Travelers Rest, SC 29690

Model No.
B-0121

Item No.



ITEM NO.	SALES NO.	DESCRIPTION
1	B-0107	1.42 GPM Spray Valve
2	010476-45	#27 Washer
3	000907-45	Spray Valve Hold Down Ring
4	002987-40	Grip Handle
5	001014-45	Washer, B-0100 Hose Barrel
6	B-0020-H	20" Flexible Stainless Steel Hose
7	B-0020-H2A	20" Flexible Stainless Steel Hose, Less Handle
8	002882-40	12" Swivel L-Tube
9	000376-40	3/8" NPT x 32" Riser
10	004R	Finger Hook
11	001661-45	Red Index-HW
12	002712-40	Eterna Cartridge, RTC w/ Spring Check, Handle, Index & Screw
13	000922-45	Lever Handle Screw
14	001660-45	Blue Index-CW
15	001638-45	Lever Handle
16	012442-40	Eterna Cartridge, LTC w/ Spring Check
17	002711-40	Eterna Cartridge, LTC w/ Spring Check, Handle, Index & Screw
18	001019-45	Coupling Nut Washer
19	00AA	1/2" NPT Female Eccentric Flange
20	012443-40	Eterna Cartridge, RTC w/ Spring Check

Product Specifications:

Pre-Rinse Unit: 8" Deck Mount Mixing Faucet, Eterna Cartridges w/ Spring Checks, Lever Handles, 1.42 GPM Spray Valve, 32" Riser, 12" Overhead Swivel Arm & 1/2" NPT Female Inlets

Drawn

Checked

Approved

Scale:

Date:

02/04/14