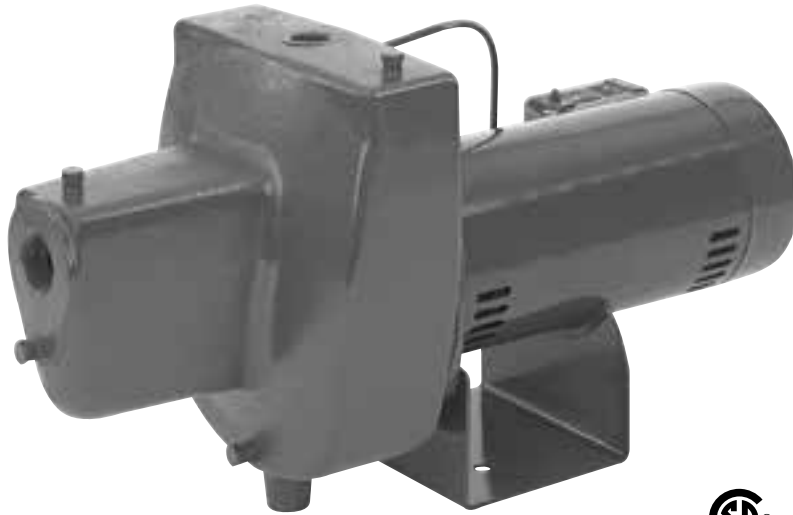


ProJet™ HN Series Self-priming shallow well jet pumps

Cast Iron



The ProJet HN models provide excellent performance with good pressure for wells to 25' deep. Self-priming after the priming chamber has been filled with water.

APPLICATIONS

Water systems and sprinkling... for homes, farms and cottages.

SPECIFICATIONS

Max. Liquid Temperature: 140°F

Max. Inlet Pressure: 50 PSI

Average Priming Time (in minutes) at 15 Feet:

HNC = 1.7; HND = 1.1; HNE = 1.3

Average Priming Time (in minutes) at 25 Feet:

HNC = 4.4; HND = 4.4; HNE = 2.6

Body: Close-grained cast iron

Nozzle: High-strength Lexan®

Venturi: Lexan®

Impeller: Noryl®

Diffuser: Reinforced polypropylene

Shaft: One-piece threaded, 416 grade stainless steel

Base: Steel, 12 gauge

FEATURES

Quality Construction: Close-grained cast iron body, specially treated for corrosion resistance. Drain port provided for easy winterizing.

Built-in Jet: High-strength Lexan nozzle and venturi for maximum resistance to corrosion and abrasion. Cleanout plug provided for ease of service.

Noryl Impeller: Precision-molded for perfect balance...ultra-smooth for highest performance and efficiency.

Precision-Molded Diffuser: Pump primes faster, handles more air, with multi-port, precision-molded, reinforced polypropylene diffuser.

Mechanical Shaft Seal: Precision lapped and highly polished carbon-ceramic, stainless steel construction. Internal design guarantees continuous water lubrication.

Motor Windings: Superior insulation materials protect against excessive moisture and contaminants...assure prolonged motor life.

Balanced Rotor: Diecast under high pressures for uniform performance and greater efficiency, dynamically balanced.

Heavy-Duty Ball Bearings: Shielded, permanently lubricated bearings, extensively tested to ensure extended life and smooth, quiet operation.

Pump and Motor Shaft: Stainless steel for maximum corrosion resistance; one-piece threaded shaft for positive impeller drive and alignment.

Pressure Switch: Professional quality, allows cut-in and differential adjustments.

ORDERING INFORMATION

CATALOG NUMBER	HP	SWITCH SETTING	DESCRIPTION	PIPE TAPPING SIZES		MOTOR VOLTAGE	APPROX. WT. LBS.
				SUCTION	DISCHARGE		
HNC	1/2	30-50	Shallow Well Jet	1-1/4"	1"	115/230	47
HND	3/4	30-50	Shallow Well Jet	1-1/4"	1"	115/230	65
HNE	1	30-50	Shallow Well Jet	1-1/4"	1"	115/230	70

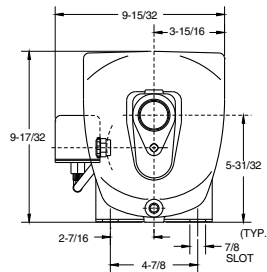
Lexan® and Noryl® are registered trademarks of General Electric Co. All other brand or product names are trademarks or registered trademarks of Pentair Ltd.

ProJet™ HN Series Self-priming shallow well jet pumps

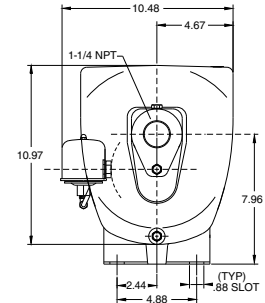
Cast Iron

OUTLINE DIMENSIONS

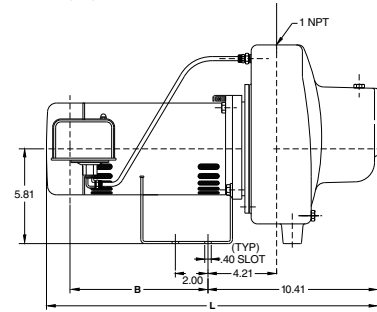
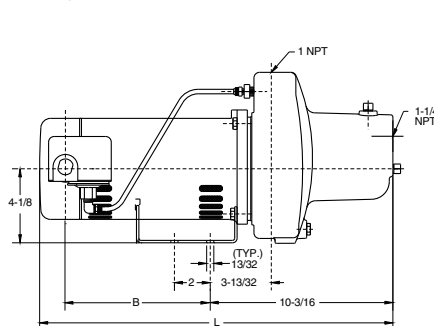
CATALOG NUMBER	L	B
HNC	18.7	7.1
HND	21.3	7.0
HNE	22.4	8.0



HNC

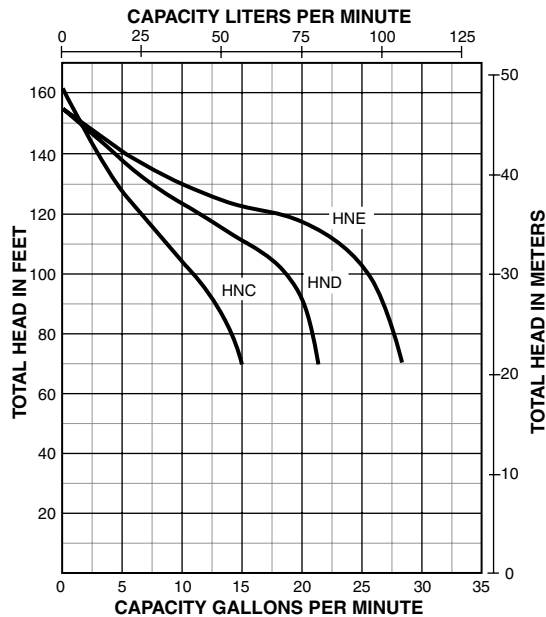


HND and HNE



Dimensions (in inches) are for estimating purposes only.

PUMP PERFORMANCE



2.31 FT. OF HEAD = 1 PSI
1 FT. OF HEAD = .433 PSI

PUMP PERFORMANCE (CAPACITY IN GALLONS PER MINUTE)

CATALOG NUMBER	HP	DISCH. PRESSURE PSI	DYNAMIC SUCTION LIFT					SHUT-OFF PRESSURE PSI
			5'	10'	15'	20'	25'	
HNC	1/2	30	15.0	13.0	11.6	8.7	6.9	70
		40	12.5	11.4	10.1	8.2	6.8	
		50	8.0	6.8	6.1	4.8	3.5	
HND	3/4	30	21.4	19.1	16.5	13.3	9.5	67
		40	20.8	18.7	15.8	13.2	9.3	
		50	13.5	11.6	10.1	7.4	2.4	
HNE	1	30	28.5	25.0	21.4	17.4	12.6	67
		40	28.3	24.4	21.0	17.2	12.3	
		50	21.5	18.3	10.9	3.1	1.6	

Pump will operate at all depths shown, with pressure switch set at 30-50 PSI.

Tested and rated in accordance with Water Systems Council Standards.

NOTE: Pumps installed with a Pro-Source® tank require a 100 PSI relief valve. Pumps installed with a conventional tank require a 75 PSI relief valve. Relief valve must be capable of relieving entire flow of pump at relief pressure.