

# Series 504

FLUSHMATE® Genuine Replacement Parts

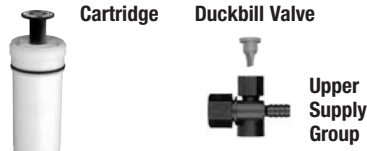


**FLUSHMATE®**

A Division of Sloan Valve Company

30075 Research Drive, New Hudson, MI 48165  
flushmate.com

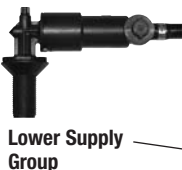
Name Plate with Serial Number



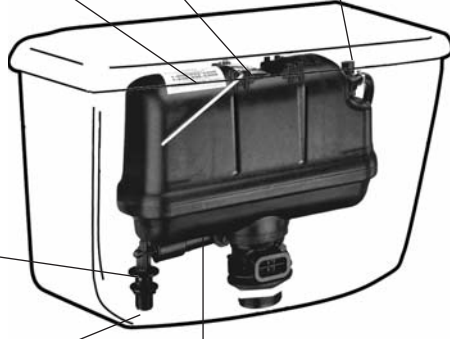
Upper Supply Group



Intelli-Flush System  
(Shown with FLUSHMATE 504 Series)



Lower Supply Group



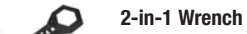
Inlet Screen

Model M-101526-F4 \_  
(for two piece toilet)



Model M-102540-F \_\_  
(for one piece toilet)

Miscellaneous Parts and Tools



2-in-1 Wrench



Cartridge Wrench



Tank to Bowl Gasket



Push Button



Note:  
Replacement  
Handle/Rod Kits are  
available for most  
fixtures.

Part	Model #	Description
Vessel for Two Piece Toilet	M-101526-F41	FLUSHMATE System, 1.0 gpf - For Vortens/Lamosa 3468 Tank
	M-101526-F42	FLUSHMATE System, 1.0 gpf - For Kohler K4484 tank, Mansfield 153 Tank, St. Thomas/Vitromex Tank, Peerless 1 Tank, Vitra 5066 Tank and Western T4ULF-PF-1 Tank.
	M-101526-F43	FLUSHMATE System, 1.0 gpf - For Kohler K4484 Tank.
Vessel for One Piece Toilet	M-102540-FC	FLUSHMATE System - For Kohler K-3597
	M-102540-F4M	FLUSHMATE System - For Mansfield 704 push button activated and Corona 704 push button activated
Cartridge	C-100500-K	Flush Cartridge with Duckbill and Inlet Screen
Cartridge	C-100502-K	Flush Cartridge with Duckbill and Inlet Screen for FLUSHMATE Model M-102540-C
Upper Supply	BU100505-K	Upper Supply
Duckbill Valve	B-108288-BK	Duckbill Valve (air inducer) for Upper Supply BU100505-K 24 count pack
Lower Supply	BL100504-3-K	Lower Supply
2-in-1 Wrench	ST100100	FLUSHMATE Discharge-Nut Wrench
Cartridge Wrench	ST100500	For Flush Cartridge servicing
Tank to Bowl Gasket	E-205288	Universal tank-to-bowl Gasket (Fits all two-piece fixtures except Mansfield)
	E-406288	Universal tank-to-bowl Gasket (Fits all one piece fixtures)
Push Button	DP400999-1	Chrome Finish (Trip Lever – Contact OEM for information)
Intelli-Flush*	K-100100	On-Wall Sensor with White Trim
	K-100101	On-Wall Sensor with Chrome Trim
	K-100500	Override button Only - no sensor

\* Except for Mancesa and Vitromex fixtures

Professionally distributed by: