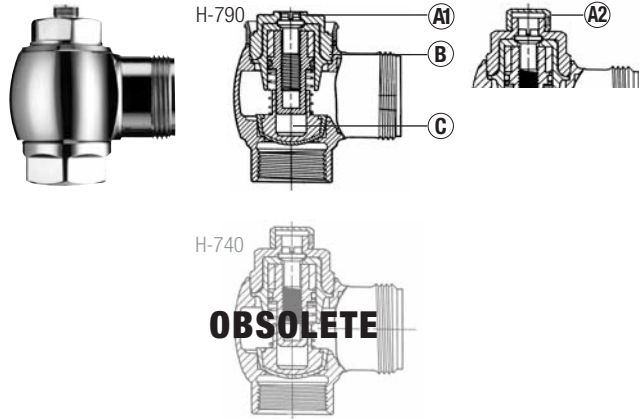


Control Stop

CONTROL STOP AND REPLACEMENT PARTS

H-740 Stop, chrome plated: Screwdriver Angle Stop with H-37 Cap (Regal® Valve Stop) – OBSOLETE
H-790 Stop, chrome plated: Screwdriver Angle Stop with Vandal Resistant Cap (for Regal or Regal XL Valve Stop)



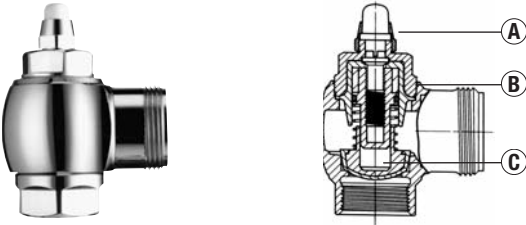
Code No.	Part No.	Description
----------	----------	-------------

Complete Stops For Regal® flushometers		
0388031	H-740-A	3/4" NPTF inlet for adjustable tail – OBSOLETE
0388029	H-740-A	1" NPTF inlet for adjustable tail – OBSOLETE
0388040	H-740-AG	3/4" NPTF inlet for ground joint tail – OBSOLETE
0388028	H-740-AG	1" NPTF inlet for ground joint tail – OBSOLETE

Complete Stops For Regal® "XL" flushometers		
0388064	H-790-A	3/4" NPTF inlet for adjustable tail
0388065	H-790-A	1" NPTF inlet for adjustable tail
0388068	H-790-AG	3/4" NPTF inlet for ground joint tail
0388067	H-790-AG	1" NPTF inlet for ground joint tail

Repair Parts		
5388002	H-538	Ⓐ Hole Plug
5388001	H-1012-A	Ⓐ Vandal Resistant Socket Cap*, chrome plated with set screw, for Regal "XL" flushometer – 6 per package
0308612	H-622	Ⓑ Bonnet, chrome plated
3308853	H-541-ASD	Ⓒ Control Stop Repair Kit*

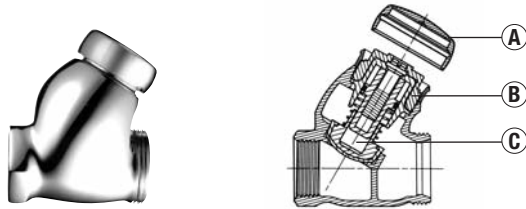
H-745 Stop, chrome plated: Screwdriver Angle Stop with J-2/J-7 Bumper (for Regal® Valve Stop) (-Y0/-YG Variations) – OBSOLETE



Complete Stops		
0388035	H-725-A	1" NPTF inlet for adjustable tail

Repair Parts		
5310034	J-2/J-7	Ⓐ Cap*, chrome plated – 6 per package – OBSOLETE
0308991	H-639	Ⓑ Bonnet, chrome plated – OBSOLETE
3308853	H-541-ASD	Ⓒ Control Stop Repair Kit* – OBSOLETE

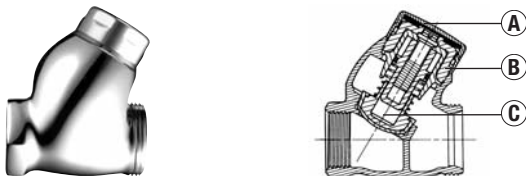
H-750 Stop, chrome plated: Screwdriver Straight Stop with H-1010-A Vandal Resistant Cap



Complete Stops		
3308389	H-750-AG	1" NPTF inlet for ground joint tail

Repair Parts		
3308772	H-1010-A	Ⓐ Vandal Resistant Cap*, chrome plated
0308612	H-622	Ⓑ Bonnet, chrome plated
3308853	H-541-ASD	Ⓒ Control Stop Repair Kit*

H-760 Stop, chrome plated: Screwdriver Straight Stop with H-573-A Locking Vandal Resistant Cap



Complete Stops		
0388023	H-760-AG	1" NPTF inlet for ground joint tail

Repair Parts		
0308738	H-573-A	Ⓐ Locking Vandal Resistant Cap*, chrome plated
0308612	H-622	Ⓑ Bonnet, chrome plated
3308853	H-541-ASD	Ⓒ Control Stop Repair Kit*

*Refer to page 95 for diagrams of our Stop Caps and page 96 for the components supplied in our Control Stop Repair Kits.

Showerheads, Parts and Accessories